

Subject: Adjustment Screws Removal

Overview

There are two adjustment screws installed under the End Access Plate, within the SBU unit, which are not used and can cause potential damage to the belt if not removed.

Problem

The adjustment screws can damage the belt if the plate is installed incorrectly.

Solution

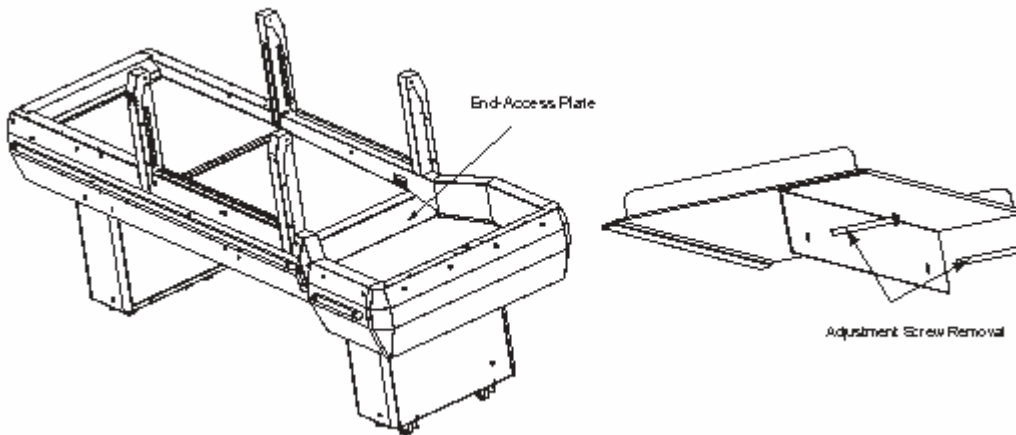
Simply remove and discard the two screws if present.



CAUTION:

Use caution when removing and replacing the end-access plate, because the take-away belt can begin moving if the sensor becomes blocked.

Ensure that the adjustment screws are not installed on the underside of the End-Access Plate. If the adjustment screws are present, **remove and discard them**. These screws can damage the belt if the plate is installed incorrectly.



<u>INQUIRIES TO:</u>		DATE
Fujitsu Transaction Solutions Inc.		
Exchange:	Sustaining Engineering	_____
Mail:	Fujitsu USA04, Sustaining Engineering	_____
FAX:	858-731-4781 (7888-4781)	_____
Internet:	sustainingengineering@ftx.fujitsu.com	_____
FTP:	ftp://ftp.ftxs.fujitsu.com/	_____
	Sustaining Engineering	
	Product Manager	
	Author	

Original signature copies maintained by Sustaining Engineering.