

PRODUCT

NCR RealScan 79 Scanner/Scale System

MB-POS-1243

April 6, 2015

NCR is pleased to offer the RealScan™ 79 (model 7879) scanner/scale for sale by authorized NCR Solution Providers.

The NCR RealScan 79 delivers exceptional performance and the operational flexibility to grow with a customer's business and as their requirements change. This next-generation scanner enhances the shopper experience with the speed and accuracy of its new all-imaging technology, which ensures that you will be able to meet long-term requirements. The imager's ability to read emerging symbologies – including 2-D and mobile telephone barcodes – enhances the overall front-end performance with efficient decoding of traditional linear barcodes.

REALSCAN 79 HIGHLIGHTS

The RealScan 79 scanner/scale is available in three sizes:

- **Full-sized:** 20-inch (50.8 cm) traditional scanner/scale and scanner-only
- **Mid-sized:** 15.7-inch (39.9 cm) scanner/scale and scanner-only
- **Compact:** 13.9-inch (35.3 cm) scanner-only (optional scale up-sizes this to a mid-sized footprint)

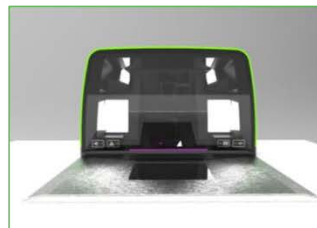


The NCR RealScan 79 features a bi-optic imager. Features include:

- **All-imaging** 1-D and 2-D mobile scanning
- High-performance imaging with the largest imaging scan zone in its class
- Six-sided scanning with aggressive top-down performance
- PureWhite illumination: more inviting cashier and shopper interaction
- Integrated Customer Scanner (ICS) for shopper-facing 2-D coupon, card, paper and mobile telephone screen imaging input
- PowerBar Cashier Pacing System
- NCR patented Scan Doctor – spoken voice integration
- NCR's latest PACESETTER™ – now with 1-D and 2-D code correction
- Ethernet connectivity to enable smart data-driven metrics and technology
- POS communications with USB, RS-232, RS-485
- Remote Customer Scanner option: mounts up to six feet from the main body of the RealScan 79.

What's Inside...

- RealScan 79 key features:
 - ✓ PureWhite Illumination
 - ✓ Shopper Imagers
 - ✓ PowerBar cashier pacing
 - ✓ Ethernet connectivity
 - ✓ All those ports and interfaces
 - ✓ Scan Advisor
- Competition Scorecard
- Solution Provider Info (You!)
 - ✓ Brochures
 - ✓ Presentations
 - ✓ User and Technical docs
 - ✓ Warranty
 - ✓ Service tools
- RealScan 79 Specifications
- Regulatory (it's all good...)
 - ✓ Weights & Measures
 - ✓ Safety
 - ✓ Compliance and Certifications



RealScan 79 Overview

The NCR RealScan 79 provides six-sided all-imaging scanning capability with aggressive top-down performance, as well as boasting the largest imaging scan zone in its class. Coupled with other NCR features like the patented PACESETTER technology and “Scan Doctor” spoken voice integration, dead zones are almost non-existent. The NCR RealScan 79 Imager is the only scanner on the market today that has pure white lights inside to make scanning easier on the eyes than ever before.

PUREWHITE ILLUMINATION

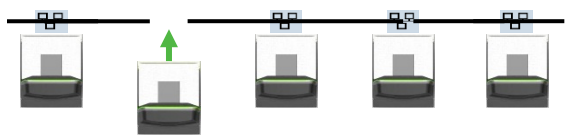
First impressions count, and NCR’s PureWhite illumination creates a soft white glow which is more inviting and easier on the eyes than traditional red lighting, and also minimizes confusion that multiple red lights can cause.



SMART-SCANNER ETHERNET CONNECTIVITY

NCR’s unique Ethernet connectivity takes this very smart scanner/scale where no scanner has been before: the network. In addition to standard point-of-sale communications, the RealScan 79 can be active and aware on the network offering you full streaming video over IP, image capture, and data metrics.

You’ll use the RealScan 79’s network connectivity to streamline programming or setup, since it provides smart cloning and configuration over Ethernet. This smart scanner learns from other

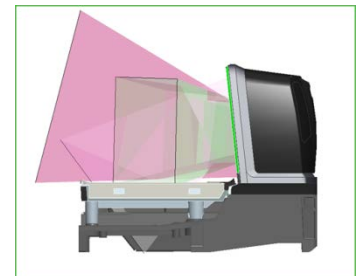


scanners in the store – or it can even take its cue from the enterprise or central system. For the NCR Solution Provider, rolling out new scanners or updating symbologies or parameters is faster and easier than ever.

EDGE TO EDGE GLASS: THE LARGEST IMAGING SCAN ZONE

The RealScan 79’s edge-to-edge glass and 7-inch tower height provide maximum scan performance and optimize use for shoppers in self-checkout environments. The 7879 all-imaging scanner maintains NCR’s 6-sided scanning with our best-in-class top-down scan capabilities, including capturing barcodes as they approach the scanner.

But this doesn’t mean re-learning how to scan: cashiers using the “power slide” technique will maintain their high items-per-minute performance. And meanwhile, self-checkout users get a large presentation area requiring minimum product orientation.



POWERBAR

NCR’s PowerBar pacing system gives the cashier real-time feedback, with a lighted bar indicating scanning speed and performance:

- Training without a trainer
- Customizable cashier goals
- “Game-ification”: Feedback – Social – Fun(!)



SHOPPER SCANNING OPTIONS

The RealScan 79's Integrated Customer Scanner (ICS) and Remote Customer Scanner (RCS) options can enhance the shopper checkout experience while speeding transaction performance. The ICS and RCS accessory imagers will read 1-D and 2-D barcodes from coupons and frequent shopper loyalty cards, and they are also optimized for reading codes from mobile telephone screens.

- The *Integrated Customer Scanner* option faces the shopper from the back of the RealScan 79 – and it can be positioned either on the left or right side to maximize checkstand fit and flexibility.
- The *Remote Customer Scanner* can be placed anywhere within reach of its 6-foot (1.8-meter) cable from the RealScan 79 scanner.

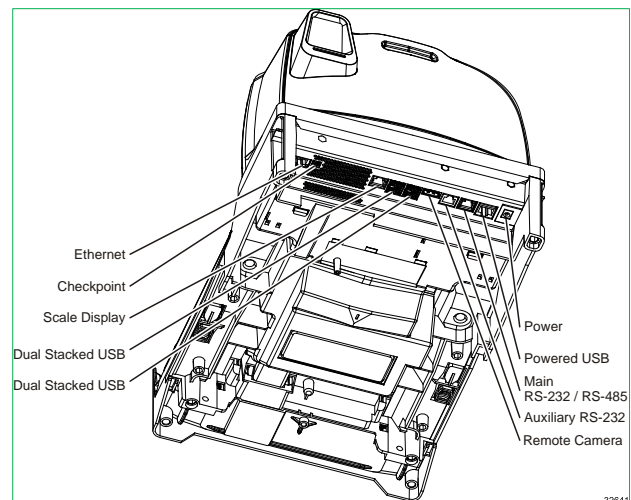
Both options are powered and controlled from the main 7879 unit, and individual parameters select which barcode symbologies are active or currently disabled.



REALSCAN 79 PORTS, CONNECTIONS AND INTERFACES

The RealScan 79 provides unsurpassed flexibility and connectability with its powerful I/O panel and options:

- POS Interfaces:
 - RS-232 / Serial
 - USB - NCR
 - USB - IBM
 - RS-485 (IBM 46xx)
- Ethernet – for networking and security
- Auxiliary Ports:
 - 1 @ RS-232
 - 4 @ USB (Type A)
- EAS interlock ports for:
 - Checkpoint
 - Sensormatic
- Scale display
 - Port for NCR Model 7825 single-sided or dual-sided scale displays
- Streaming video over:
 - Ethernet
 - USB



REALSCAN 79 SCAN ADVISOR

RealScan 79 Perimeter Scan Advisor lights surround the vertical window, providing cashiers with immediate information including scan read feedback, scanner status and overall scanner/scale health.



REALSCAN 79 MOUNTING OPTIONS (SIZE-ADJUSTMENT KITS)

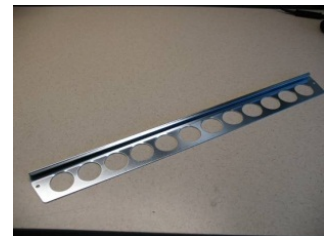
Side Rails are available that attach to the RealScan 79 to match the mounting dimensions of legacy Full-Sized NCR scanners and more recent models (such as the models 7875, 7876, 7878 etc.) when they were fitted with the Side Rail option – therefore fitting the existing mounting areas.

Side Rails can be ordered as a Feature with new RealScan 79 purchases or a Kit for existing deployed devices.

Side Rails are available only for Full-Size RealScan 79 scanner/scales. Do not order Side Rails with Mid-Size or Compact versions of the RealScan 79. It is normally recommended to include Side Rails when the Full-Sized RealScan 79 configuration includes the scale.

An *Adapter Bracket* is available for fitting the RealScan 79 to the NCR Version 4 SSCO system (models 7343 and 7346) shopper self-checkout stations.

When ordered as a Feature, the SSCO Adapter Bracket will be packed with the RealScan 79 in its shipping container; when the Adapter Bracket's Kit version is selected, it will be shipped in its own container (one per box).



REALSCAN 79 SERVICEABILITY

The RealScan 79 scanner/scale includes many features designed to make it easier to service and provide greater configuration flexibility. This reduces your cost of providing service and protects your customer. Serviceability enhancements include three independent service zones that require only five (5) screws to service the entire scanner (all the same type: standard #2 Phillips head).

A RealScan 79 scanner-only model can be easily field-upgraded to add a scale.

REALSCAN 79 SCANNER DATA AND SCANNING METRICS

With a network capable scanner, your customers can manage and access their scanning and performance data like never before!

- Items per hour and ring times gathered from any of their scanners — any store — in real-time
- Receive alerts and tallies, notifications, and other data at a central location
- Monitor device health, video feeds, and other metrics



RealScan 79 Competition Scorecard

Competition for the RealScan 79 is limited to imaging devices from Datalogic (the model 9800i) and Motorola (model MP6000). The summary table below highlights the important differences and NCR RealScan 79 advantages:



	Datalogic 9800i	Motorola MP-6000	NCR RealScan 79
Imaging and Cashier Performance Features			
PowerBar for Cashier Performance:	No	No	Yes
User-Friendly Illumination:	No Red illumination	No Red illumination	Yes White illumination
Image Capture:	Limited: pole view only	No Split cameras without complete view	Yes Two (2) full views for images
Streaming Video:	No	No	Yes Ethernet live streaming video
Ethernet Connectivity, IP-Addressable:	No	No	Yes First Ethernet smart scanner
Loss-Prevention Integration:	No	No	Yes <ul style="list-style-type: none"> ▪ Sensormatic ▪ Checkpoint ▪ Nedap
Scan Volume:	Poor Scan Volume 3" Tower plus pole	Small Scan Volume 5" Tower	Largest Scan Zone 7" Tower
Remote Security Camera Option:	No	No	Yes Controlled by scanner
System Capabilities			
Optional Rear Shopper Scanner:	Yes Top-down reader pole	Yes Side tower	Yes 1 - Rear tower 2 - Remote
Power Usage:	Similar to current lasers	Lower than current lasers	Similar to current lasers
1-D Barcodes:	Yes	Yes	Yes
2-D and Mobile Barcodes:	Yes	Yes	Yes

RealScan 79 for NCR Solution Providers

REALSCAN 79 SALES, MARKETING AND COLLATERAL MATERIALS

NCR Authorized Solution Providers will have access to the following collateral items and sales tools, which may be provided via the NCR PartnerCentral website, the “Retalix” Solution Provider Support Website or (when all else fails) directly from your CAM:

- RealScan 79 Sales Presentation
- RealScan 79 Datasheet/Brochure
- RealScan 79 Image Assets (Pictures)
- RealScan 79 White Papers
- RealScan 79 Competitive Document (Inside Track)
- RealScan 79 Product Video
- RealScan 79 Proposal Template
- RealScan 79 Product Overview (this Bulletin 1243)
- RealScan 79 Configuration and Pricing (Bulletin 1244)

Additional [RealScan 79 information](#) is available from the NCR public website includes: ¹

- RealScan 79 Datasheet/Brochure
- RealScan 79 Image Assets (Pictures)
- RealScan 79 White Papers
- RealScan 79 Product Video
- RealScan 79 NCR YouTube Page
- RealScan 79 Video Link: <https://www.youtube.com/watch?v=tA0y1Hi0Qpc>

REALSCAN 79 USER AND TECHNICAL DOCUMENTATION

The following information products will be available to NCR Solution Providers:

Document ID	Description
B005-0000-2299	RealScan 79 (7879) User's Guide Includes: Site Preparation, Installation , Operation and Programming
B005-0000-2300	RealScan 79 (7879) Service Guide (restricted to authorized Channel Partners)
B005-0000-1883	NCR Scanner Tool Suite Guide
BD20-1074-A	NCR Scanner/Scale Interface Programmer's Guide
BSTO-2121-74	NCR Scanner Programming Tags
B005-0000-1699	RealScan Scanner Safety and Regulatory Information

REALSCAN 79 WARRANTY FOR NCR SOLUTION PROVIDERS

The RealScan 79 is warranted for one year under the standard Solution Provider terms and conditions provided under the NCR Interact Partner-Delivered Services Agreement.

¹ <http://www.ncr.com/products/grocery/pos-scanners/high-performance-bi-optic/RS-79>

REALSCAN 79 CONFIGURATION AND SERVICE TOOLS — DEVICE LEVEL

The NCR RealScan Scanner Tool Suite is a collection of software tools for managing NCR scanners including the 7879. Tools are available to NCR Authorized Solution Providers for the RealScan 79.

The no-charge device-level tools enable:

- Development of custom scanner configurations in your lab environment
- Managing, configuring, upgrading, and diagnosing scanners in an attended environment during installation, service, system integration, and lab evaluation
- Demonstrating scanner capabilities and the Scanner Tool Suite for sales presentations

These tools include:

- **Scanner Flash Tool, Free Version for Windows**
 - Pulls and pushes firmware and configuration images
 - Pushes foreign languages and custom sound files
 - It can also operate in user-driven GUI mode, or command line mode
 - Tool resides on individual POS terminals
 - To initiate tool operation, requires user to be present at the scanner to scan a Flash barcode.
- **Scanner Flash Drive Preparation Tool for Windows**
 - Configures a USB Flash drive to perform various operations when plugged into a scanner, for example: Flashing, configuring, extracting configuration, and cloning.
- **Scanner Sound Conversion Tool for Windows**
 - Creates a scanner-downloadable binary file from .wav sound files.
 - Enables your users to play their own unique .wav files during unique scanner events, such as power-up, sleep, good-tag and so forth.
- **Scanner Configuration Tool for Windows**
 - Examines, creates, and compares scanner configuration images for configuring scanners
 - Images can be pushed via a USB flash drive or one of the NCR scanner flash tools.

These tools are available for [immediate download](#) from NCR.com.²

REALSCAN 79 CONFIGURATION AND SERVICE TOOLS — ENTERPRISE LEVEL

These (chargeable) enterprise-level tools can remotely manage, configure, upgrade, and diagnose scanners in an unattended live enterprise environment such as in an active checkout lane.

The following tools are provided:

- **Scanner Flash Tool, Enterprise Version**
 - Pulls and pushes firmware and configuration images
 - Pushes foreign languages and custom sound files
 - Can operate either in (a) user-driven GUI mode or (b) command-line mode.
 - Tool resides on individual POS terminals.

² http://www5.ncr.com/support/support_drivers_patches.asp?Class=retail_RealScan

- **Scanner Alerts and Tallies Tool – Enterprise Version.**
 - Extracts scanner “Alert” type events (problems) and “Tallies” (accumulation of problems over time as well as counts of key events such as the number of UPC-A labels scanned).
 - Can operate either in (a) user-driven GUI mode or (b) command-line mode.
 - Tool resides on individual POS terminals.
- The NCR Scanner Enterprise Tools are available and priced as follows for NCR Authorized Solution Providers.
 - Refunds or returns for credit are not available on this item.
 - Accordingly, NCR strongly recommends that Solution Providers download and test the “Trial Version” (see below) before purchasing.

LPIN	Item	MRP	SWM
NCR-G370-2745-0100	NCR Scanner/Scale Software, License, Support Tools for NCR Scanners, Enterprise Version, Windows See above for description.	\$ 25,000	N/A

REALSCAN 79 CONFIGURATION AND SERVICE TOOLS — ENTERPRISE LEVEL – TRIAL VERSION

Download and evaluate this full enterprise version tool set before purchasing the Enterprise Tools offered above.

Both the tools described in the section above are provided with a limited 90-day trial period, and are otherwise fully functional.

[Immediate download is available](#) at NCR.com.³

Other details:

- Documentation, including system requirements, is available at www.info.ncr.com (external access) as: “NCR RealPOS Scanner Tool Suite Guide”
 - The Information Product ID is B005-0000-1883
- Capabilities and interface support (RS-232, NCR USB etc.) vary according to LPIN and operating system. Consult with the scanner solution manager to verify customer compatibility.
- Customer-specific professional services integration work by NCR Professional Services will be required to deploy these tools. Be sure to consider this before submitting any bid to resell or deploy.
- Other options may be available for special customer situations. Engage your CAM or the NCR scanner/scale solution manager to learn more.

³ http://www5.ncr.com/support/support_drivers_patches.asp?Class=retail_RealScan

RealScan 79 Specifications

REALSCAN 79 IMAGING TECHNOLOGY

- Type: Multiple CMOS Array Imager
- Illumination: Multiple diffused PureWhite LED
- Scan zone: All 6 sides/ 720° with edge-to-edge tower coverage

REALSCAN 79 SCALE CAPACITY

- Scale Capacity:
 - Single Interval: 30 lbs. in 0.01 lb. increments / 15 kg. in 0.005 kg. increments
 - Dual Interval: 12/30 lbs. in 0.005/0.01 lb. increments / 6/15 kg. in 0.002/0.005 kg. increments
- Maximum static weight: 300 lbs. / 136 kg.
- Scanner can easily be upgraded to scale in the field
- Price computing scale options are available

REALSCAN 79 ELECTRONIC ARTICLE SURVEILLANCE (EAS) INTEGRATION

- Option for Sensormatic® EAS interlock and deactivation coil
- Option for Checkpoint® EAS interlock and integrated antenna
- Option for Nedap® EAS interlock and integrated antenna

REALSCAN 79 POWER MANAGEMENT

- 12V power supply (90-264VAC/47-63Hz)
- 12V terminal power option over Powered USB
- Additional 12V power options via powered cables from capable host POS terminal devices

REALSCAN 79 PERIPHERALS AND ACCESSORIES

- Field upgradable for:
 - Integrated Customer Scanner (ICS)
 - Remote Customer Scanner (RCS)
- Scale weight displays
 - Single scale display
 - Dual scale displays

REALSCAN 79 WINDOW MATERIALS

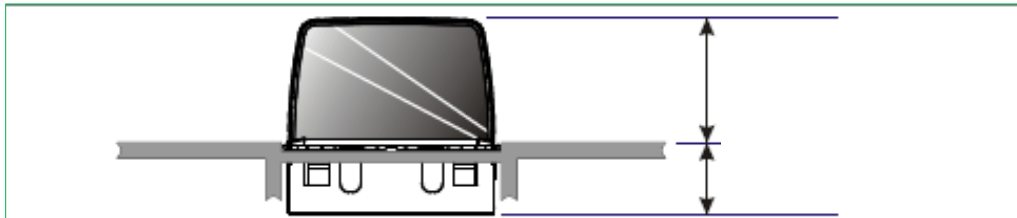
- Vertical window: shatter-proof tempered glass
- Lower horizontal window: Hurricane glass
- Horizontal top plate:
 - Standard: ClearShield (new version of EverScan), Lifetime guarantee against scratching in normal food & drug environment
 - Option: Sapphire glass (recommended for hardware/home improvement sites only)

REALSCAN 79 SYMBOLOGIES

- UPC/EAN with two-digit and five-digit add-on symbols
- Code 128
- Code 39 (3 of 9)
- Interleaved 2 of 5
- Codabar
- PDF417 and QR Code
- Italian Pharmacode
- GS1 DataBar™ (RSS):
 - DataBar Omnidirectional
 - Stacked Omnidirectional
 - Expanded
 - Expanded Stacked
- GTIN compliant
- 2005 Sunrise compliant

REALSCAN 79 DIMENSIONS

- Height (above counter): 17.78 cm (7 in)
- Width: 29.20 cm (11.5 in)
- Depth (below counter): 10.16 cm (4 in)
- Length:
 - Full-size Scanner/Scale: 20.0 inches / 50.8 cm
 - Mid-size Scanner/Scale: 15.7 inches / 39.9 cm
 - Compact Scanner: 13.9 inches / 35.3 cm



RealScan 79 Model	Width	Length	Depth	Tower Height
7879-1000 Full-Sized Scanner-Only — with bucket, without side rails	11.5 inches (29.2 cm)	20.0 inches (50.8 cm)	4.1 inches (10.4 cm)	6.9 inches (17.5 cm)
7879-1000 Full-Sized Scanner-Only — with bucket, with side rails	12.1 inches (30.7 cm)	20.0 inches (50.8 cm)	4.1 inches (10.4 cm)	6.9 inches (17.5 cm)
7879-2000 Full-Sized Scanner/Scale — with bucket, without side rails	11.5 inches (29.2 cm)	20.0 inches (50.8 cm)	4.0 inches (10.1 cm)	6.9 inches (17.5 cm)
7879-2000 Full-Sized Scanner/Scale — with bucket, with side rails	12.1 inches (30.7 cm)	20.0 inches (50.8 cm)	4.1 inches (10.4 cm)	6.9 inches (17.5 cm)
7879-4000 Mid-Size Scanner-Only	11.5 inches (29.2 cm)	15.7 inches (39.9 cm)	4.0 inches (10.2 cm)	6.9 inches (17.5 cm)
7879-5000 Mid-Size Scanner/Scale	11.5 inches (29.2 cm)	17.7 inches (39.9 cm)	4.0 inches (10.2 cm)	6.9 inches (17.5 cm)
7879-3000 Compact Scanner-Only	11.5 inches (29.2 cm)	13.9 inches (35.3 cm)	4.0 inches (10.2 cm)	6.9 inches (17.5 cm)

RealScan 79 Certifications, Regulatory and Safety Compliance

ASSOCIATIONS

The 7879 has been certified by all appropriate associations.

- EMC Directive: 2004/108/EC
- EN 55022:2010 (IEC CISPR 22:2008 ED6.0) – Information technology equipment Radio disturbance characteristics – Limits and methods of measurement
- EN 55024:2010 – Information technology equipment- Immunity characteristics – Limits and methods of measurement
- IEC 61000-3-2:2005 + A1:2008 + A2:2009 Edition 3.0 Limits – Limits for harmonic current emissions (equipment input current ≤ 16 A per phase)
- IEC 61000-3-3:2008 Edition 2.0 Limits – Limitation of voltage changes, voltage fluctuations and flicker in public low-voltage supply systems, for equipment with rated current ≤ 16 A per phase and not subject to conditional connection
- IEC 61000-4-2:2001 Edition 1.2 – Testing and measurement techniques – Electrostatic discharge immunity test.
- IEC 61000-4-4:2004 Edition 2.0 – Testing and measurement techniques – Electrical fast transient/burst immunity test
- IEC 61000-4-5:2005 Edition 2.0 – Testing and measurement techniques – Surge immunity test
- IEC 61000-4-6:2006 Edition 2.2 – Testing and measurement techniques – Immunity to conducted disturbances, induced by radio-frequency fields
- IEC 61000-4-8:2001 Edition 1.1 – Testing and measurement techniques – Power frequency magnetic field immunity test
- IEC 61000-4-11:2004 Edition 2.0 – Testing and measurement techniques – Voltage dips, short interruptions and voltage variations immunity tests

REALSCAN 79 INGRESS CERTIFICATION

- IEC 60529 – Degrees of protection provided by enclosures (IP Code)
 - RealScan 79 meets IP2x rating.

REALSCAN 79 WEIGHTS & MEASURES APPROVALS

The 7879 has been certified by all relevant associations.

- NIST Handbook 44 – Specifications, Tolerances, and Other Technical Requirements for weighing and Measuring Devices (US, Canada)
- OIML R76-1:2006 – International Recommendation for Non Automatic Weighing Instruments – for accuracy class: [III]. (Pending)
- Directive 2009/23/EC – of the European Parliament and of the Council on non-automatic weighing instruments. (Pending)
- EN 45501: 1994 – Specification for metrological aspects of non-automatic weighing instruments (Pending)

Updated regulatory information and Weights & Measures approval documents and certificates may be available on NCR PartnerCentral or the Solution Provider Support website (or ask your CAM).

ROHS

- Directive 2011/65/EU – Restriction of the uses of certain hazardous substances in electrical and electronic equipment.

SAFETY DIRECTIVES

- IEC/UL/EN 60 950-1 – Safety of Information Technology Equipment
- IEC 62471 – Photo-biological Safety of Lamps and Lamp Systems
- Illumination is safe for human exposure
- Low Voltage Directive: 2006/95/EC
- CE Mark Directive: 93/68/EEC