



U-Scan Genesis Self-Checkout

Advanced performance

From the world's leading provider of self-checkout solutions comes the most compact, intuitive, and advanced U-Scan® product line.

Key Features

Robotics—Achieve your desired symmetrical footprint with compact and modular options.

Bagging Stations—Various capacities allow you to configure your system based on store volumes. Sizes include 1, 2, 6, and 8 bag options. All non-carousel options are modular in design and can easily be modified as your business requirements change

Coin Dispensers—Provides a choice of either reliable coin canister dispensers or the high-capacity hopper dispensers

Rapid software integration—VPOS messaging framework architecture minimizes impact to your POS upgrade schedule, keeping your vital business software releases on-track

Available in many languages—Has the ability to switch languages mid-transaction—a powerful option when the attendant and customer speak different languages

SCALABLE BY DESIGN

The new U-Scan Genesis™ from Fujitsu is completely re-engineered to meet your customers' needs for simple, fast, and efficient transactions while providing maximum flexibility, space-savings, and reliability. The unique design of the U-Scan Genesis makes it highly adaptable to your store's own requirements—today and tomorrow.

Because your retail business is ever-changing, U-Scan Genesis has been designed to provide a modular and flexible architecture that makes it simple—and cost effective—for you to take advantage of future feature upgrades and make changes to your store's layout. U-Scan Genesis protects your self-checkout investment unlike any other solution on the market today.

Customer-Driven Improvements

The U-Scan Genesis incorporates significant design improvements that make self-checkout simpler, more intuitive and faster for shoppers. Graphical user interface improvements such as larger, more appealing screen visuals and the integration of a familiar consumer market design provides shoppers with an easy checkout experience resulting in decreased attendant intervention. All cash and coin accepting and dispensing is located together above the scanner, which speeds up the transaction process and reduces the likelihood of customers leaving money behind. The bill acceptor features accuracy and acceptance rates up to two times faster than other solutions on the market, while the completely redesigned bill dispenser significantly reduces bill jams—the most common service and maintenance issue.





All the primary components (customer display, scanner, receipt printer, coin and cash acceptors and dispensers, pin pad) are located within inches of each other, eliminating customer steps to and from devices located out of reach. A new “rich content” customer user interface and ATM-style “follow me” LEDs guide the customer through the checkout process.

Easy to Service

With the U-Scan Genesis, service and maintenance issues need not tie up your self-checkout lanes for extended periods of time. Easy serviceability enables your store associates to solve most simple maintenance issues quickly, so you minimize customer disruptions and greatly reduce service costs. Replacing the receipt paper is as simple as opening a drawer; no key or supervisor is required. The CPU, coin hopper and bill dispensers are mounted on slide-out rails and shelves, with front accessibility that makes servicing or replacement of parts a snap, without tools, or complicated teardowns.

Reliable Performance

The U-Scan Genesis leverages many of the same advanced and reliable components as other leading retail-hardened systems from Fujitsu, to stand up to the demands of high volume checkout environments. With its “Direct Mode” feature, the U-Scan Genesis provides exactly the same functionality as your existing POS software application. This means there's no duplicative training for your cashiers; what they see at the POS is identical to what's visible in Direct Mode at the U-Scan Genesis.

The U-Scan Genesis also comes with an uninterruptible power supply (UPS), providing safe and clean stand-by power. In case of electrical service disruptions, you won't be plagued with lost transactions, voids and frustrated customers. Optional lane lights, assist shelves, bumpers and custom finishes are available so that you may customize your U-Scan Genesis installation for a unique and differentiating customer experience.

Fits Your Space

Featuring a smaller footprint than all previous U-Scan models, the U-Scan Genesis adapts to even tighter spaces and more locations, giving you the option to install more self-checkout lanes in the same square footage. With several models to choose from, retailers large and small alike can find a unit that will suit their needs.

U-Scan 1+—Single-bag unit with scale space to accommodate additional large items is ideal for small retail outlets, convenience store, drug and discount retailers in both standard and express lane configurations.

U-Scan 2—Dual-bag model works well in almost any retail store environment, where both bagging capacity and overall space savings are critical.

U-Scan 4—Four-bag system is perfect for higher volume supermarkets and mass merchandise retailers fitting in significantly less space than most popular 3-bag systems.

U-Scan 6 & U-Scan 8—Six and Eight bag configurations use the same modular bagging components as the U-Scan 4, giving you any combination of ultimate item capacity processing.

U-Scan Carousel—Rotating bagging platform that can accommodate large order sizes with variable configurations of either 6 bag racks or 4 bag racks and recycle bin space, in addition to a secondary scale for larger items. All configurations provide easy accessibility to bagged purchases.

U-Scan Kiosk—Super compact, cashless model which is ideal for departments within larger stores or anywhere unassisted sales are needed. U-Scan Kiosk is also perfect for the convenience store operation.

U-Scan Payment Station—Full-service tendering only (coin and bill accepting and dispensing) model increases throughput during significant customer surges or where register space is limited.

Because the U-Scan Genesis is modular, you can easily upgrade to a different capacity model and configuration as your self-checkout needs change. You'll save even more space using the Fujitsu iPad mobile attendant, a wireless handheld device that performs the same functions as the fixed location attendant station. The iPad offers easy-to-use, fully-integrated software and allows cashiers to interact more freely with self-checkout customers and provide faster assistance.

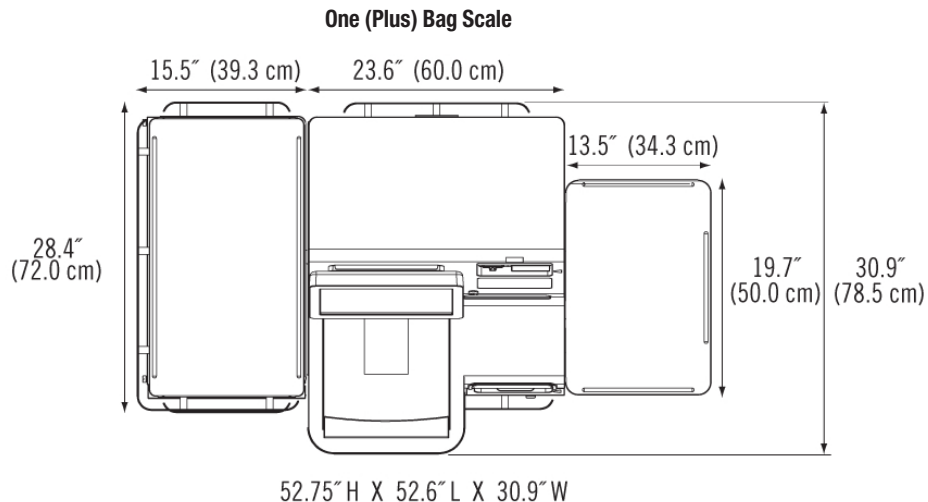
Maximize Your ROI

Be sure to ask about our Self-Checkout Best Practices and U-Scan Training programs, designed to increase customer acceptance of your U-Scan system and maximize your return on investment. We provide real-world experience and expertise to our customers every day.

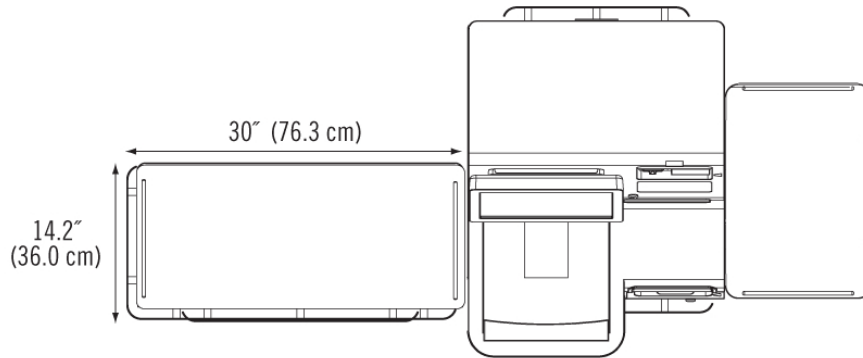
For more information on the U-Scan Genesis self-checkout systems contact Fujitsu today.

ABOUT FUJITSU AMERICA

Fujitsu America, Inc. provides a complete portfolio of business technology services, computing platforms, and industry solutions. Fujitsu platform products are based on scalable, reliable and high-performance server, storage, software, point-of-sale, and mobile technologies. Fujitsu combines its renowned platform offerings with a full suite of onshore, near shore and offshore system integration, outsourcing, and datacenter services covering applications, operations, infrastructure, customer service, and multi-vendor lifecycle services. Fujitsu provides industry-specific solutions for retail, manufacturing, healthcare, government, education, financial services, and telecommunications sectors. For more information on Fujitsu America's business scope, visit <http://solutions.us.fujitsu.com>

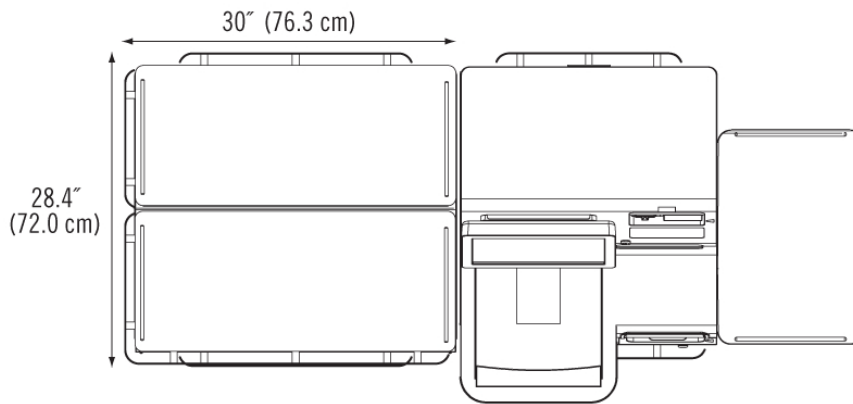


Two Bag Scale



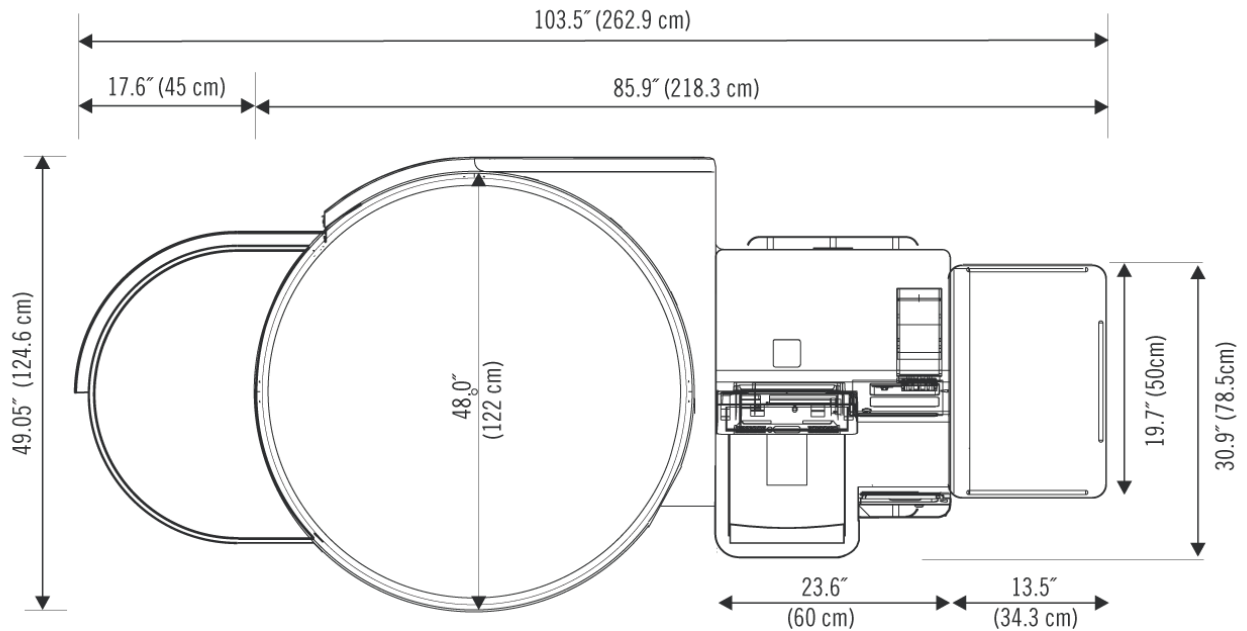
52.75" H X 67.1" L X 30.9" W

Four Bag Scale



52.75" H X 67.1" L X 30.9" W

Carousel



52.75" H x 103.5" L x 49.05" W



U-SCAN GENESIS SPECIFICATIONS

| | | |
|------------------------------------|--|--|
| System Software | The U-Scan® system can support the following POS applications: | |
| | Fujitsu (GlobalSTORE® and ISS400) StoreNext (ISS45 V7, V8), ScanMaster V2 IBM® 4680/90 (ACE, SA, GSA and CDSA) Retailix StoreLine POS 6300 | POS Plus (Retail for Microsoft® Windows®) NCR (Unity) UNIX® ACR UNIX® Innovzax/Aurora Radiant |
| System Hardware | Includes industry proven TeamPOS® CPU technology from Fujitsu | |
| Media and Tendering Options | Cash (bills and coins) Credit Debit Cash back EBT Checks | Coupons WIC Gift certificates, gift cards, store value cards Coupon processing with automated verification |
| | System Features | Retail-hardened cash dispensers, acceptors and PC units Intuitive color touch screen interface with voice prompts Multiple language support Direct Mode to POS system Portable, mobile device to manage entire U-Scan® operation Choice in coin dispensers— hopper or canister style Retailer's choice in Credit and Debit card readers Proven Fujitsu bill dispensing technology |
| Security | Artificial intelligence-based security algorithm Weight scale under bag rack detects unscanned items | Video camera and attendant surveillance EAS compatible (optional) |
| Technical Support Options | 24 hours a day, 7 days a week | |
| Options | Digital over-scanner and cabinet entry cameras Lane lights with status indicators Electronic security key | Coupon insertion detector Biometrics reader Signature Capture pad |



Fujitsu America, Inc.

1250 East Arques Avenue
Sunnyvale, CA 94085-3470, U.S.A.
Telephone: 800 831 3183 or 408 746 6000
Fax: 408 764 5060
Web: us.fujitsu.com/solutions
Email: solutions@us.fujitsu.com

Fujitsu America, Inc. Fujitsu is a registered trademark of Fujitsu Limited. GlobalSTORE and TeamPoS are trademarks or registered trademarks of Fujitsu America, Inc. in the United States and other countries. U-Scan is a registered trademark and Genesis is a trademark of Fujitsu Frontech North America. IBM is a registered trademark of IBM Corporation in the United States, other countries, or both. Microsoft and Windows are either registered trademarks or trademarks of Microsoft Corporation in the United States and/or other countries. UNIX is a registered trademark of The Open Group in the United States and other countries. All other registered trademarks and trademarks are property of their respective owners.

Specifications are subject to change without notice. Fujitsu endeavors to ensure that the information in this document is correct and fairly stated, but does not accept liability for any error or omissions. The development of Fujitsu products and services is continuous, and published information may not be up to date. It is important to check the current position with Fujitsu.

© 2009 Fujitsu America, Inc.
All rights reserved. FPC58-2096-01 11/09.
09.0811

