



Multi-Lane Retail Accessories Guide

Optimum L4000 Terminals

November, 2006
Version 1.0





Optimum L4000 Accessories Guide

Part Number	Description	L4100	L4105	L4200	L4250
Cables - RS232					
810341-001	Cable, MINIDIN 9M 9P to DB9F 2/2.1 DC LKG Jack, 12', BLK, L4100	•	•	•	•
810341-002	Cable, MINIDIN 9M 9P to DB9F 2/2.1 DC LKG Jack, 17', BLK, L4100	•	•	•	•
810346-002	Cable, L4100 to ICL 17.0FT (powered)	•	•	•	•
Cables - USB					
810349-001	Cable, PoweredUSB, 12v, 2x4 plus Power, 3m, Grey	•	•	•	•
810349-002	Cable, PoweredUSB, 24v, 2x4 plus Power, 3m, Grey	•	•	•	•
Power Supplies					
870066-002	PWRAD, 90-250VAC/47-63HZ 12.0VDC 2A5 (2.1mm DC out plug)	•	•	•	•
Power Cords					
810003-007	Cable, PWR STR 110VAC BLK 6ft	•	•	•	•
Specialty Cables					
810347-001	Cable, L4100, RS232 Y MINIDIN9M to DUAL MINIDIN9F, 18" (This is a Y cable to provide two RS232 MD9 connectors)	•	•		
810352-001	Cable, DC Power 2.1mm Locking plug & jack 10', Black (This is a power extender cable that runs from PED to power supply)	•	•	•	•
810354-001	Cable, PUSB to Locking 2.1mm DC Plug 18" (Pulls power from PoweredUSB port, connects to power barrel conn)	•	•	•	•
810355-001	Cable, SDL to Locking 2.1mm DC Plug 18" (Pulls power from IBM Tailgate-POS port, connects to power barrel conn)	•	•	•	•
Stand Adapters					
040312-004	Counter Top Kit, L4100 CHGRY (no hole for S/N label)	•	•		
040314-002	Flat stand adapter, L4100 CHGRY (includes hole to S/N label)	•	•		
Screen Protectors					
040313-003	Screen Protector Replacement Kit, L4100, Terrapin, 10 each	•			
040339-001	Screen Protector Replacement Kit, L4250, 10 each				•
L4100 Overlays / Stickers					
700361-005	RFID sticker for L4100 with Smart Card Reader	•	•		
700387-001	RFID sticker for L4100 without Smart Card Reader	•	•		
L42x0 Overlays / Stickers					
700396-002	Generic sticker for L42xx, no RFID, no Smart Card, CHGRY			•	•
700409-001	Generic sticker for L42xx, RFID & Smart Card, CHGRY			•	•
Miscellaneous Accessories					
010311-001	L4100 ADA Keypad device	•	•		
040303-002	Stylus pen & tether, straight, long loop, black	•	•		•
600440-001	Smart card plug - Black	•	•		



Optimum L4000 Accessories Guide

Standard RS232 cable – 12 foot

Part Number	810341-001
Oracle Description	Cable, MINIDIN 9M 9P to DB9F 2/2.1 DC LKG Jack, 12', BLK, L4100
Usage	Provides connectivity between a standard RS232 port on a POS terminal/PC (host) and the RS232 port on the L4xxx terminal. External power needs to be provided via the power barrel connector that is incorporated into the backside of the RS232 connector bl
Power required	Yes, an external power supply is required.
Works with	Power Supply & Cord (870066-002 & 810003-007) or one of the Specialty Power Accessory cables (810354-001 or 810355-001).
Dimensions	Black, 12' length, 172.2 grams
Note	This cable is identical in appearance to another Powered RS232 cable, part number 810341-002, but the lengths are different.





Optimum L4000 Accessories Guide

Standard RS232 cable – 17 foot

Part Number	810341-002
Oracle Description	Cable, MINIDIN 9M 9P to DB9F 2/2.1 DC LKG Jack, 17', BLK, L4100
Usage	Provides connectivity between a standard RS232 port on a POS terminal/PC (host) and the RS232 port on the L4xxx terminal. External power needs to be provided via the power barrel connector that is incorporated into the backside of the RS232 connector block.
Power required	Yes, an external power supply is required.
Works with	Power Supply & Cord (870066-002 & 810003-007) or one of the Specialty Power Accessory cables (810354-001 or 810355-001).
Dimensions	Black, 17' length, 263.6 grams
Note	This cable is identical in appearance to another Powered RS232 cable, part number 810341-001, but the lengths are different.





Optimum L4000 Accessories Guide

Powered RS232 cable for ICL POS terminals

Part Number	810346-002
Oracle Description	Cable, L4100 to ICL 17.0FT
Usage	Provides connectivity and power between a Powered RS232 port on an ICL POS terminal and the RS232 port on the L4xxx terminal. Both data and power to drive the terminal are carried over this cable.
Power required	No, power is provided from the Powered RS232 port on the ICL POS.
Works with	N/A. No other cables or power supplies are required.
Dimensions	Beige, 17" length, 238.5 grams
Note	This cable is identical in appearance to another Powered RS232 cable, part number 810346-001, but the pin-outs are different.



WIRE CHART				
DB-9M		WIRE	9P-MDIN	
PIN	SIGNAL	COLOR	SIGNAL	PIN
2	RXD	-	TXD	6
3	TXD	-	RXD	4
4	+VS	-	PWR	2
5	SG	-	GND	1
7	RTS	-	RTS	3
8	CTS	-	CTS	7
HOUSING		DRAIN	HOUSING	



Optimum L4000 Accessories Guide

12 volt Powered USB Cable

Part Number	810349-001
Oracle Description	Cable, PoweredUSB, 12v, 2x4 plus power, 3m, Grey
Usage	Provides connectivity between a 12 volt PoweredUSB port on a Host (POS/PC) and a Powered-USB port on the L4xxx. Both data and power to drive the terminal are carried over this cable.
Power required	No, power is provided from the Host PUSB 12 volt port, over this cable
Works with	N/A. No other cables or power supplies are required.
Dimensions	Grey, 3 meters length, 282.2 grams





Optimum L4000 Accessories Guide

24 volt Powered USB Cable

Part Number	810349-002
Oracle Description	Cable, PoweredUSB, 24v, 2x4 plus power, 3m, Grey
Usage	Provides connectivity between a 24 volt PoweredUSB port on a Host (POS/PC) and a Powered-USB port on the L4xxx. Both data and power to drive the terminal are carried over this cable.
Power required	No, power is provided from the Host PUSB 24 volt port, over this cable
Works with	N/A. No other cables or power supplies are required.
Dimensions	Grey, 3 meters length, 282.2 grams





Optimum L4000 Accessories Guide

Power Supply & Power Cord

Oracle Description	PWRAD, 90-250VAC/47-63HZ 12.0VDC 2A5 (2.1 mm DC out plug)
Usage	External power supply. 90 - 250 volts, 2.5 amp, regulated
Works with	Power Cord, 810003-007 (required)
Dimensions	Black, 260 grams

Part Number	810003-007
Oracle Description	Cable, PWR STR 110VAC BLK 6FT
Usage	North American power cord that works with 810003-007 power supply.
Works with	Power Supply, 870066-002
Dimensions	Black, 6' length, 97.2 grams





Optimum L4000 Accessories Guide

Specialty Y Cable

to connect peripheral devices to the L4xxx

Part Number	810347-001
Oracle Description	Cable, L4100, RS232 Y MINIDIN9M to DUAL MINIDIN9F, 18"
Usage	Specialty "Y" cable that interfaces to the RS232 port of the L410x and provides two Mini-DIN 9 (Female) connectors. One of these connectors is for connecting to a standard RS232 cable (810346-xxx or 810346-xxx) and the Host POS/PC. The other connector provides Receive, Transmit and Ground signals only (no Power), and is used for connecting an external PIN-Pad, such as the P1300. In this case a separate external power supply would be needed to power the attached external PIN-Pad.
Power required	Yes, an external power supply is required to drive the L4xxx terminal and a separate power supply is needed to drive an external device.
Works with	Power Supply & Cord (870066-002 & 810003-007) or one of the Specialty Power Accessory cables (810354-001 or 810355-001).
Dimensions	Black, 18" length, 30.2 grams
Note	This cable is similar in appearance to another Y cable (810347-002), which is longer and additionally provides power out (to power the attached peripheral device) on the second Mini-DIN 9 barrel connector.





Optimum L4000 Accessories Guide

Power cord extension cable

Part Number	810352-001
Oracle Description	Cable, DC Power 2.1mm Locking plug & jack 10', Black
Usage	This specialty cable serves as a power cable extender. It includes a 10' cable that is terminated by a power plug on one end (which plugs into a power input port on a standard RS232 cable) and a power input connector (into which the power plug from the power supply, 870066-002, is inserted) on the other end.
Works with	Any L410x or L42x0 configuration.
Dimensions	Black, 10' length, 140.9 grams





Optimum L4000 Accessories Guide

Specialty Power cable

Draws power from 12v PUSB host port

Part Number	810354-001
Oracle Description	Cable, PUSB to locking 2.1mm DC Plug 18"
Usage	Specialty power cable that draws power (only) from a 12 volt PowerUSB port on a Host (POS/PC) and terminates in a power input barrel connector that interfaces with all Hypercom cables (sans the PUSB cables). This cable provides input power to the terminal eliminating the need for an external power supply. This cable does not carry data, a data cable is additionally required.
Power required	No, this cable pulls power from Host PUSB port.
Works with	All Hypercom cables that accept power input via 2.1mm barrel connector.
Dimensions	Beige, 18" length, 41.8 grams





Optimum L4000 Accessories Guide

Specialty Power cable

Draws power from 12v PUSB host port

Part Number	810355-001
Oracle Description	Cable, SDL to Locking 2.1mm DC Plug 18"
Usage	Specialty power cable that draws power (only) from an IBM RS485 Tailgate port on an IBM POS terminal USB port and terminates in a power input barrel connector that interfaces with all Hypercom cables (sans the PUSB cables). This cable provides input power to the terminal eliminating the need for an external power supply. This cable does not carry data, a data cable is additionally required.
Power required	No, this cable pulls power from a Host RS485 Tailgate port.
Works with	All Hypercom cables that accept power input via 2.1mm barrel connector.
Dimensions	Beige, 18" length, 39.5 grams

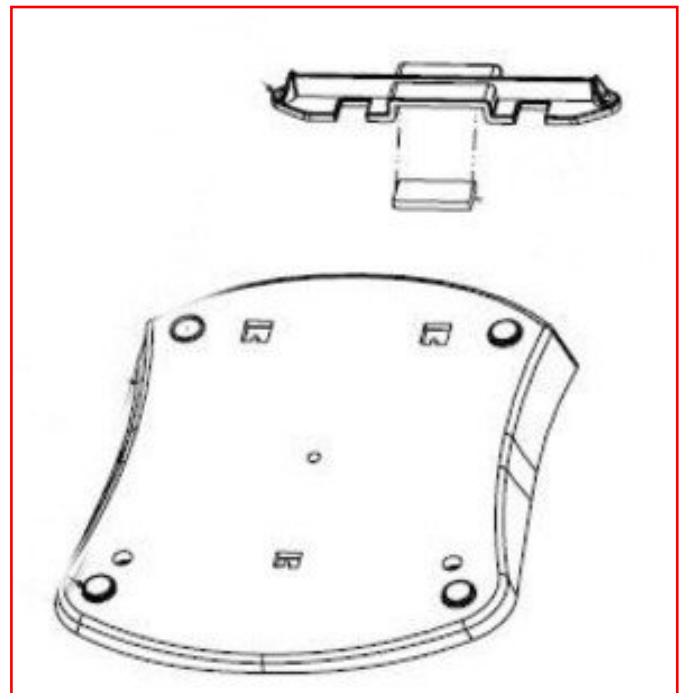




Optimum L4000 Accessories Guide

L4100 Flat Countertop Stand Adapter

Part Number	040312-004
Oracle Description	COUNTERTOP KIT,L4100 CHGRY
Usage	This stand adapter kit for the L4100 provides a flat back surface to the terminal for environments where the terminal is installed on a flat counter top or checkstand. Mounting holes that match those on the terminal are also provided. A plastic bracket that screws into the back of the terminal and sits under the snap on stand adapter provides cable management and routing facilities. Two screws are provided to help secure the stand adapter onto the terminal.
Works with	Any L4100 or L4105 configuration
Dimensions	Charcoal grey, 146.7 grams





Optimum L4000 Accessories Guide

L4100 Stand Adapter

Part Number	040314-002
Oracle Description	Flat stand adapter, L4100 CHGRY
Usage	This stand adapter kit for the L4100 provides a flat back surface to the terminal for environments where the terminal is installed in a stand. There is a opening in the center of the kit and recessed channels for routing cables. The kit includes Mounting holes that match those on the terminal are also provided. Two screws are provided to help secure the stand adapter onto the terminal.
Works with	Any L4100 or L4105 configuration
Dimensions	Charcoal grey, 146.7 grams

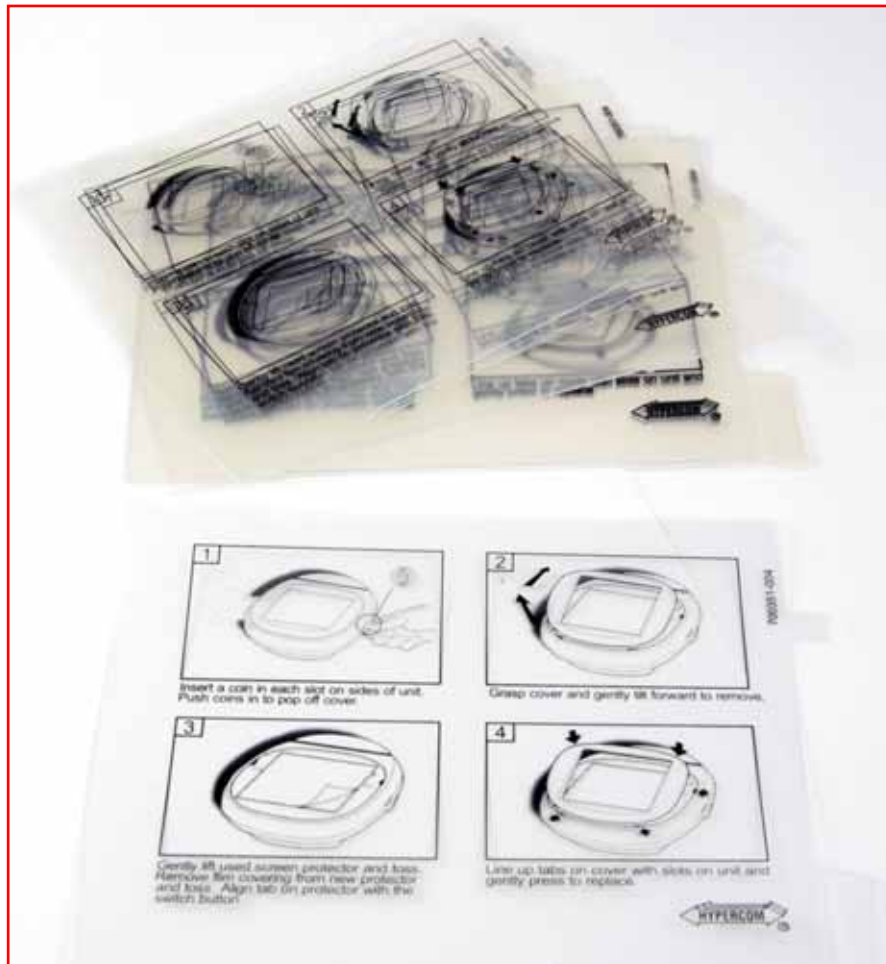




Optimum L4000 Accessories Guide

L4100 Screen Replacement Kit (10 pack)

Part Number	040313-003
Oracle Description	Screen Protector Replacement Kit, L4100, Terrapin, 10 each
Usage	Ten pack of replacement terrapin screens for the L4100. Instructions for installation of these screens is printed on a transparent film that covers the screen protector. This film is removed before terminal use.
Works with	Any L4100 configuration. Not for the L4105.
Dimensions	9.5 grams

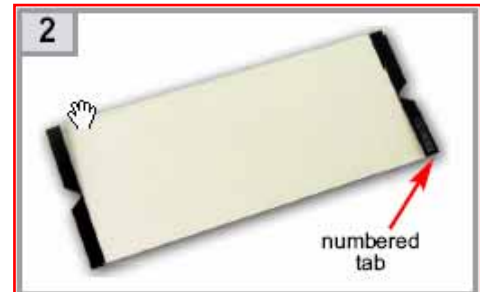
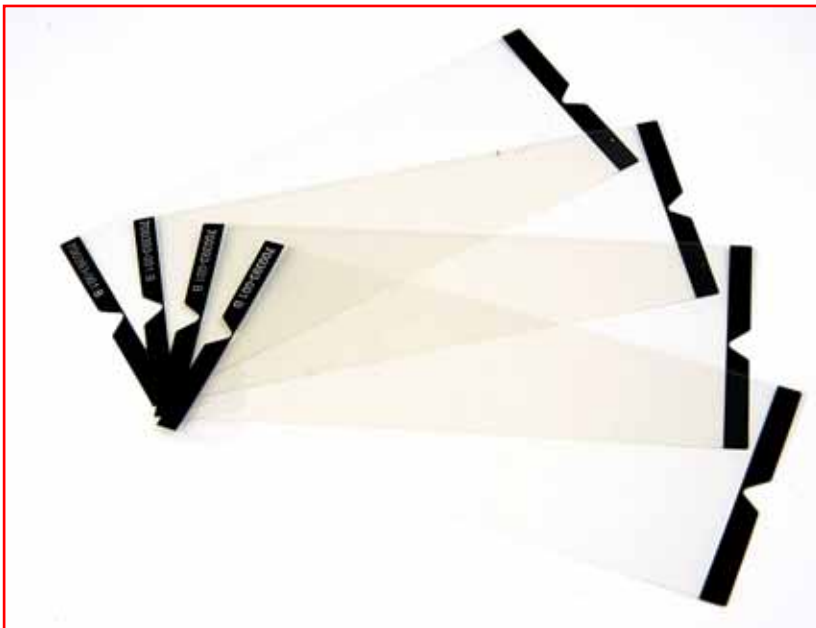




Optimum L4000 Accessories Guide

L4250 Screen Replacement Kit (10 pack)

Part Number	040339-001
Oracle Description	Screen Protector Replacement Kit, L4250, 10 each
Usage	Ten pack of replacement screens for the L4250. There is a separate instructional sheet for installing these.
Works with	Any L4250 configuration.
Dimensions	4.5 grams





Optimum L4000 Accessories Guide

L410x Replacement Overlays / Stickers

Part Number	700361-005
Oracle Description	RFID sticker for L4100 with Smart Card Reader
Works with	Any L410x configuration with RFID
Part Number	700387-001
Oracle Description	RFID sticker for L4100 without Smart Card Reader
Works with	Any L410x configuration with RFID





Optimum L4000 Accessories Guide

L42x0 Replacement Overlays / Stickers

Part Number	700396-002
Oracle Description	Generic sticker for L42xx, no RFID, no Smart Card, CHGRY
Works with	Any L42x0 configuration
Part Number	700409-001
Oracle Description	Generic sticker for L42xx, RFID & Smart Card, CHGRY
Works with	Any L42x0 configuration
Part Number	700409-002
Oracle Description	Generic sticker for L42xx, no RFID, Smart Card, CHGRY
Works with	Any L42x0 configuration





Optimum L4000 Accessories Guide

L4100 ADA Keypad

Part Number	010311-001
Oracle Description	L4100 ADA Keypad device
Usage	The ADA keypad snaps over the L410x touchscreen to provide physical keys for PIN entry. This would be used to assist a visually disabled person enter their PIN, with the physical keys being appropriately colored and containing the requisite raised characters on the "5" and control keys - as required by the American Disabilities Association (ADA). The virtual PIN Pad screen needs to be modified to accommodate the temporary addition of this keypad.
Power required	N/A.
Works with	Any L4100 or L4105 configuration
Dimensions	133 grams





Optimum L4000 Accessories Guide

L4100 Smart Card Plug

Part Number	600440-001
Oracle Description	PLUG, SMARTCARD L4100
Usage	The Smart Card plug can be inserted into the smart card opening on the L410x terminals to prevent dirt from accumulating. This is envisioned for customers who purchase the L4100 smart card option but who will not initially be using the smart card reader. This plug works for the L410x only, it does not work for the L42x0.
Works with	Any L4100 or L4105 configuration.
Dimensions	CHGRY, 6.1 grams





Optimum L4000 Accessories Guide

Stylus Pen

Part Number	040303-002
Oracle Description	Stylus pen & tether, straight, long loop, black
Usage	Replacement stylus pen with tether. Can be used on L4100, L4105 and L4250 terminals.
Works with	Can be used on L4100, L4105 and L4250 terminals.
Dimensions	Black, 11.2 grams

