



Subject: D15 Display In-Counter Mount

Overview

An improvement has been made to the D15 Display In-Counter Mount kit (90001288). This change will improve the installability and reliability of the mounting and interconnection of the kit to the D15 display.

Solution

A change was made to the installation kit and instructions to:

- Remove the Hex Stand-Off's from the rear of the D15.
- Include longer screws to allow secure connection to the D15 display.

See attached updated Assembly Instruction document (D90000130).

<u>INQUIRIES TO:</u>		DATE
Fujitsu Transaction Solutions Inc.		
Exchange:	Sustaining Engineering	_____
Mail:	Fujitsu USA04, Sustaining Engineering	_____
FAX:	858-731-4781 (7888-4781)	_____
Internet:	SustainingEngineering@ftxs.fujitsu.com	_____
FTP:	ftp://ftp.ftxs.fujitsu.com/	_____
	MGR Sustaining Engineering	
	Product Manager	
	Author	

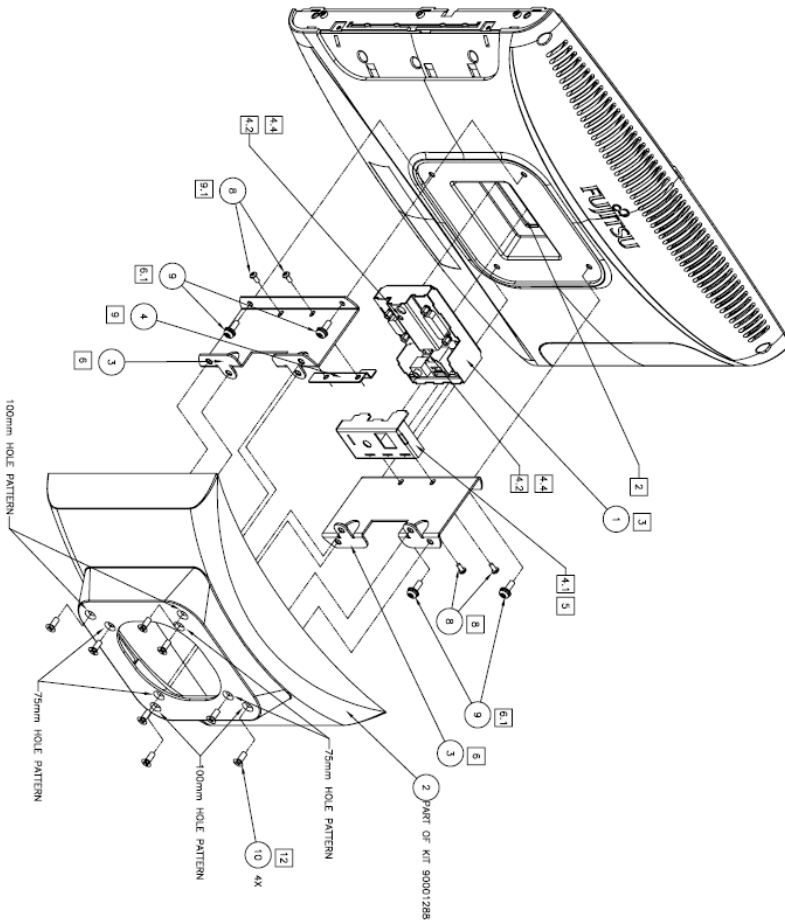
Original signature copies maintained by Sustaining Engineering.

NOTES: UNLESS OTHERWISE SPECIFIED:
ASSEMBLY INSTRUCTIONS:

- 1 BEGINS INSTALLATION.
- 1.1 Determine the desired orientation of the D15 Display and the cable routing of your display mounting post.
- 1.2 Determine if the cables can run through the center hole of the Rear Cover, Step 2 of 90001288, or if the use of the optional Rear Cover is required. If the cables cannot run through the center hole, use the optional Rear Cover.
- 1.3 Determine correct mounting hole pattern of Display, whether 75mm or 100mm.
- UNLESS OTHERWISE SPECIFIED, FOLLOWING PARTS LISTED ARE PART OF KIT 90001315.
- 2 Remove any jack screws from the connector located within the rear cavity of the D15 Display.
- 3 Gently push the Interface Box, Step 1, into the Display cavity, make sure interface plug and display connector is mated securely. (The metal box should be seated flat within the display cavity, with a slight interference at the corners.)
- 4 Secure Interface Box inside Display cavity using two #2-56 x 5/8 in. long screws of the Interface Box.
- 4.1 Secure USB Shield to gain access to one of the screws. The Audio and USB Connectors, and the other one is accessible through the access hole located on the raised surface of the metal shield of the Interface Box.
- 4.2 Before tightening screws, make sure Interface Box is seated properly into place evenly and carefully so that the connector seats evenly. This will ensure that Interface Box is seated securely and has good pin contact.
- 4.3 Do not over-tighten screws. Tighten screws until they are snug.
- 5 Reinstall USB Shield, make sure that the male metal tabs of the interface box fits through the side of the USB Shield.
- 6 Locate the two Display Brackets, Step 3, as shown within the square recess of the display.
- 6.1 Secure Display Brackets using four M4 x 12mm pan head screws, Step 5.
- 7 Fasten the Rear Cover, Step 2 of 90001288, over the Display Brackets, Step 3. The cover should seat against the back of the display, with the eight holes aligned with the brackets. Remove the cover and adjust the brackets if needed.
- 8 Install two 4-40 x 1/4 inch pan head screws, Step 6, through the two slotted holes at the base of the right Display Bracket, Step 3, into the USB Shield of the interface box. Tighten the screws.
- 9 Place the Keeper Bracket, Step 4, into the display cavity so it is aligned with the top surface of the Interface Box, Step 1, and center holes of the left Display Bracket, Step 3.
- 9.1 Install two 4-40 x 1/4 inch pan head screws, Step 6, through the two slotted holes of the left Display Bracket, Step 3, into the Keeper Bracket, Step 4. Tighten the screws.
- 10 Feed the cables through the hole (or knockout) in the Rear Cover, Step 2 of 90001288.
- 11 Install the plugs into the mating interface box connectors and secure the jack screws.
- 12 Replace the Rear Cover, Step 2 of 90001288, over the Display Brackets, Step 3. Using either of the 75mm or 100mm hole patterns, depending on the hole pattern of the display (metal) secure the cover to the back of the display.
- 13 Attach the completed D-15 Display / Sign Mount to your VESA mounting plate with either four M4 x 10mm flat head screws, Step 10, or with four M4 x 12mm pan head screws, Step 9.
- 14 Dress the cables and strain relief to Display Bracket, Step 3, and/or mounting post as needed.

NOTES:

- 11 NUMBERS INSIDE BOX DENOTES STEP IN THE ASSEMBLY PROCESS.
- 12 NUMBERS INSIDE CIRCLE CORRESPONDS TO SEQUENCE NUMBER ON PARTS LIST.



REV	DESCRIPTION	DATE	BY	CHK	APP	DATE
1	EC10849					
2	EC10851					
03	EC-11922					

ITEM	QTY	DESCRIPTION														
LIST OF MATERIALS																
<table border="1"> <tr> <td>DESIGNER</td> <td>B. F. FANNEY</td> </tr> <tr> <td>DATE</td> <td>11/14/06</td> </tr> <tr> <td>APPROVED</td> <td></td> </tr> <tr> <td>DATE</td> <td></td> </tr> <tr> <td>SCALE</td> <td>SCALE NONE</td> </tr> <tr> <td>SIZE</td> <td>SIZE D</td> </tr> <tr> <td>SHEET</td> <td>SHEET 1 OF 1</td> </tr> </table>			DESIGNER	B. F. FANNEY	DATE	11/14/06	APPROVED		DATE		SCALE	SCALE NONE	SIZE	SIZE D	SHEET	SHEET 1 OF 1
DESIGNER	B. F. FANNEY															
DATE	11/14/06															
APPROVED																
DATE																
SCALE	SCALE NONE															
SIZE	SIZE D															
SHEET	SHEET 1 OF 1															
<table border="1"> <tr> <td>TITLE</td> <td>ASSY INSTRUCTION, D15 IN-COUNTER MOUNT</td> </tr> <tr> <td>SCALE</td> <td>SCALE NONE</td> </tr> <tr> <td>SIZE</td> <td>SIZE D</td> </tr> <tr> <td>SHEET</td> <td>SHEET 1 OF 1</td> </tr> </table>			TITLE	ASSY INSTRUCTION, D15 IN-COUNTER MOUNT	SCALE	SCALE NONE	SIZE	SIZE D	SHEET	SHEET 1 OF 1						
TITLE	ASSY INSTRUCTION, D15 IN-COUNTER MOUNT															
SCALE	SCALE NONE															
SIZE	SIZE D															
SHEET	SHEET 1 OF 1															
<table border="1"> <tr> <td>DATE</td> <td>11/14/06</td> </tr> <tr> <td>BY</td> <td></td> </tr> <tr> <td>CHK</td> <td></td> </tr> <tr> <td>APP</td> <td></td> </tr> <tr> <td>SCALE</td> <td>SCALE NONE</td> </tr> <tr> <td>SIZE</td> <td>SIZE D</td> </tr> <tr> <td>SHEET</td> <td>SHEET 1 OF 1</td> </tr> </table>			DATE	11/14/06	BY		CHK		APP		SCALE	SCALE NONE	SIZE	SIZE D	SHEET	SHEET 1 OF 1
DATE	11/14/06															
BY																
CHK																
APP																
SCALE	SCALE NONE															
SIZE	SIZE D															
SHEET	SHEET 1 OF 1															
<table border="1"> <tr> <td>DATE</td> <td>11/14/06</td> </tr> <tr> <td>BY</td> <td></td> </tr> <tr> <td>CHK</td> <td></td> </tr> <tr> <td>APP</td> <td></td> </tr> <tr> <td>SCALE</td> <td>SCALE NONE</td> </tr> <tr> <td>SIZE</td> <td>SIZE D</td> </tr> <tr> <td>SHEET</td> <td>SHEET 1 OF 1</td> </tr> </table>			DATE	11/14/06	BY		CHK		APP		SCALE	SCALE NONE	SIZE	SIZE D	SHEET	SHEET 1 OF 1
DATE	11/14/06															
BY																
CHK																
APP																
SCALE	SCALE NONE															
SIZE	SIZE D															
SHEET	SHEET 1 OF 1															
<table border="1"> <tr> <td>DATE</td> <td>11/14/06</td> </tr> <tr> <td>BY</td> <td></td> </tr> <tr> <td>CHK</td> <td></td> </tr> <tr> <td>APP</td> <td></td> </tr> <tr> <td>SCALE</td> <td>SCALE NONE</td> </tr> <tr> <td>SIZE</td> <td>SIZE D</td> </tr> <tr> <td>SHEET</td> <td>SHEET 1 OF 1</td> </tr> </table>			DATE	11/14/06	BY		CHK		APP		SCALE	SCALE NONE	SIZE	SIZE D	SHEET	SHEET 1 OF 1
DATE	11/14/06															
BY																
CHK																
APP																
SCALE	SCALE NONE															
SIZE	SIZE D															
SHEET	SHEET 1 OF 1															
<table border="1"> <tr> <td>DATE</td> <td>11/14/06</td> </tr> <tr> <td>BY</td> <td></td> </tr> <tr> <td>CHK</td> <td></td> </tr> <tr> <td>APP</td> <td></td> </tr> <tr> <td>SCALE</td> <td>SCALE NONE</td> </tr> <tr> <td>SIZE</td> <td>SIZE D</td> </tr> <tr> <td>SHEET</td> <td>SHEET 1 OF 1</td> </tr> </table>			DATE	11/14/06	BY		CHK		APP		SCALE	SCALE NONE	SIZE	SIZE D	SHEET	SHEET 1 OF 1
DATE	11/14/06															
BY																
CHK																
APP																
SCALE	SCALE NONE															
SIZE	SIZE D															
SHEET	SHEET 1 OF 1															
<table border="1"> <tr> <td>DATE</td> <td>11/14/06</td> </tr> <tr> <td>BY</td> <td></td> </tr> <tr> <td>CHK</td> <td></td> </tr> <tr> <td>APP</td> <td></td> </tr> <tr> <td>SCALE</td> <td>SCALE NONE</td> </tr> <tr> <td>SIZE</td> <td>SIZE D</td> </tr> <tr> <td>SHEET</td> <td>SHEET 1 OF 1</td> </tr> </table>			DATE	11/14/06	BY		CHK		APP		SCALE	SCALE NONE	SIZE	SIZE D	SHEET	SHEET 1 OF 1
DATE	11/14/06															
BY																
CHK																
APP																
SCALE	SCALE NONE															
SIZE	SIZE D															
SHEET	SHEET 1 OF 1															
<table border="1"> <tr> <td>DATE</td> <td>11/14/06</td> </tr> <tr> <td>BY</td> <td></td> </tr> <tr> <td>CHK</td> <td></td> </tr> <tr> <td>APP</td> <td></td> </tr> <tr> <td>SCALE</td> <td>SCALE NONE</td> </tr> <tr> <td>SIZE</td> <td>SIZE D</td> </tr> <tr> <td>SHEET</td> <td>SHEET 1 OF 1</td> </tr> </table>			DATE	11/14/06	BY		CHK		APP		SCALE	SCALE NONE	SIZE	SIZE D	SHEET	SHEET 1 OF 1
DATE	11/14/06															
BY																
CHK																
APP																
SCALE	SCALE NONE															
SIZE	SIZE D															
SHEET	SHEET 1 OF 1															
<table border="1"> <tr> <td>DATE</td> <td>11/14/06</td> </tr> <tr> <td>BY</td> <td></td> </tr> <tr> <td>CHK</td> <td></td> </tr> <tr> <td>APP</td> <td></td> </tr> <tr> <td>SCALE</td> <td>SCALE NONE</td> </tr> <tr> <td>SIZE</td> <td>SIZE D</td> </tr> <tr> <td>SHEET</td> <td>SHEET 1 OF 1</td> </tr> </table>			DATE	11/14/06	BY		CHK		APP		SCALE	SCALE NONE	SIZE	SIZE D	SHEET	SHEET 1 OF 1
DATE	11/14/06															
BY																
CHK																
APP																
SCALE	SCALE NONE															
SIZE	SIZE D															
SHEET	SHEET 1 OF 1															
<table border="1"> <tr> <td>DATE</td> <td>11/14/06</td> </tr> <tr> <td>BY</td> <td></td> </tr> <tr> <td>CHK</td> <td></td> </tr> <tr> <td>APP</td> <td></td> </tr> <tr> <td>SCALE</td> <td>SCALE NONE</td> </tr> <tr> <td>SIZE</td> <td>SIZE D</td> </tr> <tr> <td>SHEET</td> <td>SHEET 1 OF 1</td> </tr> </table>			DATE	11/14/06	BY		CHK		APP		SCALE	SCALE NONE	SIZE	SIZE D	SHEET	SHEET 1 OF 1
DATE	11/14/06															
BY																
CHK																
APP																
SCALE	SCALE NONE															
SIZE	SIZE D															
SHEET	SHEET 1 OF 1															
<table border="1"> <tr> <td>DATE</td> <td>11/14/06</td> </tr> <tr> <td>BY</td> <td></td> </tr> <tr> <td>CHK</td> <td></td> </tr> <tr> <td>APP</td> <td></td> </tr> <tr> <td>SCALE</td> <td>SCALE NONE</td> </tr> <tr> <td>SIZE</td> <td>SIZE D</td> </tr> <tr> <td>SHEET</td> <td>SHEET 1 OF 1</td> </tr> </table>			DATE	11/14/06	BY		CHK		APP		SCALE	SCALE NONE	SIZE	SIZE D	SHEET	SHEET 1 OF 1
DATE	11/14/06															
BY																
CHK																
APP																
SCALE	SCALE NONE															
SIZE	SIZE D															
SHEET	SHEET 1 OF 1															
<table border="1"> <tr> <td>DATE</td> <td>11/14/06</td> </tr> <tr> <td>BY</td> <td></td> </tr> <tr> <td>CHK</td> <td></td> </tr> <tr> <td>APP</td> <td></td> </tr> <tr> <td>SCALE</td> <td>SCALE NONE</td> </tr> <tr> <td>SIZE</td> <td>SIZE D</td> </tr> <tr> <td>SHEET</td> <td>SHEET 1 OF 1</td> </tr> </table>			DATE	11/14/06	BY		CHK		APP		SCALE	SCALE NONE	SIZE	SIZE D	SHEET	SHEET 1 OF 1
DATE	11/14/06															
BY																
CHK																
APP																
SCALE	SCALE NONE															
SIZE	SIZE D															
SHEET	SHEET 1 OF 1															
<table border="1"> <tr> <td>DATE</td> <td>11/14/06</td> </tr> <tr> <td>BY</td> <td></td> </tr> <tr> <td>CHK</td> <td></td> </tr> <tr> <td>APP</td> <td></td> </tr> <tr> <td>SCALE</td> <td>SCALE NONE</td> </tr> <tr> <td>SIZE</td> <td>SIZE D</td> </tr> <tr> <td>SHEET</td> <td>SHEET 1 OF 1</td> </tr> </table>			DATE	11/14/06	BY		CHK		APP		SCALE	SCALE NONE	SIZE	SIZE D	SHEET	SHEET 1 OF 1
DATE	11/14/06															
BY																
CHK																
APP																
SCALE	SCALE NONE															
SIZE	SIZE D															
SHEET	SHEET 1 OF 1															
<table border="1"> <tr> <td>DATE</td> <td>11/14/06</td> </tr> <tr> <td>BY</td> <td></td> </tr> <tr> <td>CHK</td> <td></td> </tr> <tr> <td>APP</td> <td></td> </tr> <tr> <td>SCALE</td> <td>SCALE NONE</td> </tr> <tr> <td>SIZE</td> <td>SIZE D</td> </tr> <tr> <td>SHEET</td> <td>SHEET 1 OF 1</td> </tr> </table>			DATE	11/14/06	BY		CHK		APP		SCALE	SCALE NONE	SIZE	SIZE D	SHEET	SHEET 1 OF 1
DATE	11/14/06															
BY																
CHK																
APP																
SCALE	SCALE NONE															
SIZE	SIZE D															
SHEET	SHEET 1 OF 1															
<table border="1"> <tr> <td>DATE</td> <td>11/14/06</td> </tr> <tr> <td>BY</td> <td></td> </tr> <tr> <td>CHK</td> <td></td> </tr> <tr> <td>APP</td> <td></td> </tr> <tr> <td>SCALE</td> <td>SCALE NONE</td> </tr> <tr> <td>SIZE</td> <td>SIZE D</td> </tr> <tr> <td>SHEET</td> <td>SHEET 1 OF 1</td> </tr> </table>			DATE	11/14/06	BY		CHK		APP		SCALE	SCALE NONE	SIZE	SIZE D	SHEET	SHEET 1 OF 1
DATE	11/14/06															
BY																
CHK																
APP																
SCALE	SCALE NONE															
SIZE	SIZE D															
SHEET	SHEET 1 OF 1															
<table border="1"> <tr> <td>DATE</td> <td>11/14/06</td> </tr> <tr> <td>BY</td> <td></td> </tr> <tr> <td>CHK</td> <td></td> </tr> <tr> <td>APP</td> <td></td> </tr> <tr> <td>SCALE</td> <td>SCALE NONE</td> </tr> <tr> <td>SIZE</td> <td>SIZE D</td> </tr> <tr> <td>SHEET</td> <td>SHEET 1 OF 1</td> </tr> </table>			DATE	11/14/06	BY		CHK		APP		SCALE	SCALE NONE	SIZE	SIZE D	SHEET	SHEET 1 OF 1
DATE	11/14/06															
BY																
CHK																
APP																
SCALE	SCALE NONE															
SIZE	SIZE D															
SHEET	SHEET 1 OF 1															
<table border="1"> <tr> <td>DATE</td> <td>11/14/06</td> </tr> <tr> <td>BY</td> <td></td> </tr> <tr> <td>CHK</td> <td></td> </tr> <tr> <td>APP</td> <td></td> </tr> <tr> <td>SCALE</td> <td>SCALE NONE</td> </tr> <tr> <td>SIZE</td> <td>SIZE D</td> </tr> <tr> <td>SHEET</td> <td>SHEET 1 OF 1</td> </tr> </table>			DATE	11/14/06	BY		CHK		APP		SCALE	SCALE NONE	SIZE	SIZE D	SHEET	SHEET 1 OF 1
DATE	11/14/06															
BY																
CHK																
APP																
SCALE	SCALE NONE															
SIZE	SIZE D															
SHEET	SHEET 1 OF 1															
<table border="1"> <tr> <td>DATE</td> <td>11/14/06</td> </tr> <tr> <td>BY</td> <td></td> </tr> <tr> <td>CHK</td> <td></td> </tr> <tr> <td>APP</td> <td></td> </tr> <tr> <td>SCALE</td> <td>SCALE NONE</td> </tr> <tr> <td>SIZE</td> <td>SIZE D</td> </tr> <tr> <td>SHEET</td> <td>SHEET 1 OF 1</td> </tr> </table>			DATE	11/14/06	BY		CHK		APP		SCALE	SCALE NONE	SIZE	SIZE D	SHEET	SHEET 1 OF 1
DATE	11/14/06															
BY																
CHK																
APP																
SCALE	SCALE NONE															
SIZE	SIZE D															
SHEET	SHEET 1 OF 1															
<table border="1"> <tr> <td>DATE</td> <td>11/14/06</td> </tr> <tr> <td>BY</td> <td></td> </tr> <tr> <td>CHK</td> <td></td> </tr> <tr> <td>APP</td> <td></td> </tr> <tr> <td>SCALE</td> <td>SCALE NONE</td> </tr> <tr> <td>SIZE</td> <td>SIZE D</td> </tr> <tr> <td>SHEET</td> <td>SHEET 1 OF 1</td> </tr> </table>			DATE	11/14/06	BY		CHK		APP		SCALE	SCALE NONE	SIZE	SIZE D	SHEET	SHEET 1 OF 1
DATE	11/14/06															
BY																
CHK																
APP																
SCALE	SCALE NONE															
SIZE	SIZE D															
SHEET	SHEET 1 OF 1															
<table border="1"> <tr> <td>DATE</td> <td>11/14/06</td> </tr> <tr> <td>BY</td> <td></td> </tr> <tr> <td>CHK</td> <td></td> </tr> <tr> <td>APP</td> <td></td> </tr> <tr> <td>SCALE</td> <td>SCALE NONE</td> </tr> <tr> <td>SIZE</td> <td>SIZE D</td> </tr> <tr> <td>SHEET</td> <td>SHEET 1 OF 1</td> </tr> </table>			DATE	11/14/06	BY		CHK		APP		SCALE	SCALE NONE	SIZE	SIZE D	SHEET	SHEET 1 OF 1
DATE	11/14/06															
BY																
CHK																
APP																
SCALE	SCALE NONE															
SIZE	SIZE D															
SHEET	SHEET 1 OF 1															
<table border="1"> <tr> <td>DATE</td> <td>11/14/06</td> </tr> <tr> <td>BY</td> <td></td> </tr> <tr> <td>CHK</td> <td></td> </tr> <tr> <td>APP</td> <td></td> </tr> <tr> <td>SCALE</td> <td>SCALE NONE</td> </tr> <tr> <td>SIZE</td> <td>SIZE D</td> </tr> <tr> <td>SHEET</td> <td>SHEET 1 OF 1</td> </tr> </table>			DATE	11/14/06	BY		CHK		APP		SCALE	SCALE NONE	SIZE	SIZE D	SHEET	SHEET 1 OF 1
DATE	11/14/06															
BY																
CHK																
APP																
SCALE	SCALE NONE															
SIZE	SIZE D															
SHEET	SHEET 1 OF 1															
<table border="1"> <tr> <td>DATE</td> <td>11/14/06</td> </tr> <tr> <td>BY</td> <td></td> </tr> <tr> <td>CHK</td> <td></td> </tr> <tr> <td>APP</td> <td></td> </tr> <tr> <td>SCALE</td> <td>SCALE NONE</td> </tr> <tr> <td>SIZE</td> <td>SIZE D</td> </tr> <tr> <td>SHEET</td> <td>SHEET 1 OF 1</td> </tr> </table>			DATE	11/14/06	BY		CHK		APP		SCALE	SCALE NONE	SIZE	SIZE D	SHEET	SHEET 1 OF 1
DATE	11/14/06															
BY																
CHK																
APP																
SCALE	SCALE NONE															
SIZE	SIZE D															
SHEET	SHEET 1 OF 1															
<table border="1"> <tr> <td>DATE</td> <td>11/14/06</td> </tr> <tr> <td>BY</td> <td></td> </tr> <tr> <td>CHK</td> <td></td> </tr> <tr> <td>APP</td> <td></td> </tr> <tr> <td>SCALE</td> <td>SCALE NONE</td> </tr> <tr> <td>SIZE</td> <td>SIZE D</td> </tr> <tr> <td>SHEET</td> <td>SHEET 1 OF 1</td> </tr> </table>			DATE	11/14/06	BY		CHK		APP		SCALE	SCALE NONE	SIZE	SIZE D	SHEET	SHEET 1 OF 1
DATE	11/14/06															
BY																
CHK																
APP																
SCALE	SCALE NONE															
SIZE	SIZE D															
SHEET	SHEET 1 OF 1															
<table border="1"> <tr> <td>DATE</td> <td>11/14/06</td> </tr> <tr> <td>BY</td> <td></td> </tr> <tr> <td>CHK</td> <td></td> </tr> <tr> <td>APP</td> <td></td> </tr> <tr> <td>SCALE</td> <td>SCALE NONE</td> </tr> <tr> <td>SIZE</td> <td>SIZE D</td> </tr> <tr> <td>SHEET</td> <td>SHEET 1 OF 1</td> </tr> </table>			DATE	11/14/06	BY		CHK		APP		SCALE	SCALE NONE	SIZE	SIZE D	SHEET	SHEET 1 OF 1
DATE	11/14/06															
BY																
CHK																
APP																
SCALE	SCALE NONE															
SIZE	SIZE D															
SHEET	SHEET 1 OF 1															
<table border="1"> <tr> <td>DATE</td> <td>11/14/06</td> </tr> <tr> <td>BY</td> <td></td> </tr> <tr> <td>CHK</td> <td></td> </tr> <tr> <td>APP</td> <td></td> </tr> <tr> <td>SCALE</td> <td>SCALE NONE</td> </tr> <tr> <td>SIZE</td> <td>SIZE D</td> </tr> <tr> <td>SHEET</td> <td>SHEET 1 OF 1</td> </tr> </table>			DATE	11/14/06	BY		CHK		APP		SCALE	SCALE NONE	SIZE	SIZE D	SHEET	SHEET 1 OF 1
DATE	11/14/06															
BY																
CHK																
APP																
SCALE	SCALE NONE															
SIZE	SIZE D															
SHEET	SHEET 1 OF 1															
<table border="1"> <tr> <td>DATE</td> <td>11/14/06</td> </tr> <tr> <td>BY</td> <td></td> </tr> <tr> <td>CHK</td> <td></td> </tr> <tr> <td>APP</td> <td></td> </tr> <tr> <td>SCALE</td> <td>SCALE NONE</td> </tr> <tr> <td>SIZE</td> <td>SIZE D</td> </tr> <tr> <td>SHEET</td> <td>SHEET 1 OF 1</td> </tr> </table>			DATE	11/14/06	BY		CHK		APP		SCALE	SCALE NONE	SIZE	SIZE D	SHEET	SHEET 1 OF 1
DATE	11/14/06															
BY																
CHK																
APP																
SCALE	SCALE NONE															
SIZE	SIZE D															
SHEET	SHEET 1 OF 1															
<table border="1"> <tr> <td>DATE</td> <td>11/14/06</td> </tr> <tr> <td>BY</td> <td></td> </tr> <tr> <td>CHK</td> <td></td> </tr> <tr> <td>APP</td> <td></td> </tr> <tr> <td>SCALE</td> <td>SCALE NONE</td> </tr> <tr> <td>SIZE</td> <td>SIZE D</td> </tr> <tr> <td>SHEET</td> <td>SHEET 1 OF 1</td> </tr> </table>			DATE	11/14/06	BY		CHK		APP		SCALE	SCALE NONE	SIZE	SIZE D	SHEET	SHEET 1 OF 1
DATE	11/14/06															
BY																
CHK																
APP																
SCALE	SCALE NONE															
SIZE	SIZE D															
SHEET	SHEET 1 OF 1															
<table border="1"> <tr> <td>DATE</td> <td>11/14/06</td> </tr> <tr> <td>BY</td> <td></td> </tr> <tr> <td>CHK</td> <td></td> </tr> <tr> <td>APP</td> <td></td> </tr> <tr> <td>SCALE</td> <td>SCALE NONE</td> </tr> <tr> <td>SIZE</td> <td>SIZE D</td> </tr> <tr> <td>SHEET</td> <td>SHEET 1 OF 1</td> </tr> </table>			DATE	11/14/06	BY		CHK		APP		SCALE	SCALE NONE	SIZE	SIZE D	SHEET	SHEET 1 OF 1
DATE	11/14/06															
BY																
CHK																
APP																
SCALE	SCALE NONE															
SIZE	SIZE D															
SHEET	SHEET 1 OF 1															
<table border="1"> <tr> <td>DATE</td> <td>11/14/06</td> </tr> <tr> <td>BY</td> <td></td> </tr> <tr> <td>CHK</td> <td></td> </tr> <tr> <td>APP</td> <td></td> </tr> <tr> <td>SCALE</td> <td>SCALE NONE</td> </tr> <tr> <td>SIZE</td> <td>SIZE D</td> </tr> <tr> <td>SHEET</td> <td>SHEET 1 OF 1</td> </tr> </table>			DATE	11/14/06	BY		CHK		APP		SCALE	SCALE NONE	SIZE	SIZE D	SHEET	SHEET 1 OF 1
DATE	11/14/06															
BY																
CHK																
APP																
SCALE	SCALE NONE															
SIZE	SIZE D															
SHEET	SHEET 1 OF 1															
<table border="1"> <tr> <td>DATE</td> <td>11/14/06</td> </tr> <tr> <td>BY</td> <td></td> </tr> <tr> <td>CHK</td> <td></td> </tr> <tr> <td>APP</td> <td></td> </tr> <tr> <td>SCALE</td> <td>SCALE NONE</td> </tr> <tr> <td>SIZE</td> <td>SIZE D</td> </tr> <tr> <td>SHEET</td> <td>SHEET 1 OF 1</td> </tr> </table>			DATE	11/14/06	BY		CHK		APP		SCALE	SCALE NONE	SIZE	SIZE D	SHEET	SHEET 1 OF 1
DATE	11/14/06															
BY																
CHK																
APP																
SCALE	SCALE NONE															
SIZE	SIZE D															
SHEET	SHEET 1 OF 1															
<table border="1"> <tr> <td>DATE</td> <td>11/14/06</td> </tr> <tr> <td>BY</td> <td></td> </tr> <tr> <td>CHK</td> <td></td> </tr> <tr> <td>APP</td> <td></td> </tr> <tr> <td>SCALE</td> <td>SCALE NONE</td> </tr> <tr> <td>SIZE</td> <td>SIZE D</td> </tr> <tr> <td>SHEET</td> <td>SHEET 1 OF 1</td> </tr> </table>			DATE	11/14/06	BY		CHK		APP		SCALE	SCALE NONE	SIZE	SIZE D	SHEET	SHEET 1 OF 1
DATE	11/14/06															
BY																
CHK																
APP																
SCALE	SCALE NONE															
SIZE	SIZE D															
SHEET	SHEET 1 OF 1															
<table border="1"> <tr> <td>DATE</td> <td>11/14/06</td> </tr> <tr> <td>BY</td> <td></td> </tr> <tr> <td>CHK</td> <td></td> </tr> <tr> <td>APP</td> <td></td> </tr> <tr> <td>SCALE</td> <td>SCALE NONE</td> </tr> <tr> <td>SIZE</td> <td>SIZE D</td> </tr> <tr> <td>SHEET</td> <td>SHEET 1 OF 1</td> </tr> </table>			DATE	11/14/06	BY		CHK		APP		SCALE	SCALE NONE	SIZE	SIZE D	SHEET	SHEET 1 OF 1
DATE	11/14/06															
BY																
CHK																
APP																
SCALE	SCALE NONE															
SIZE	SIZE D															
SHEET	SHEET 1 OF 1															
<table border="1"> <tr> <td>DATE</td> <td>11/14/06</td> </tr> <tr> <td>BY</td> <td></td> </tr> <tr> <td>CHK</td> <td></td> </tr> <tr> <td>APP</td> <td></td> </tr> <tr> <td>SCALE</td> <td>SCALE NONE</td> </tr> <tr> <td>SIZE</td> <td>SIZE D</td> </tr> <tr> <td>SHEET</td> <td>SHEET 1 OF 1</td> </tr> </table>			DATE	11/14/06	BY		CHK		APP		SCALE	SCALE NONE	SIZE	SIZE D	SHEET	SHEET 1 OF 1
DATE	11/14/06															
BY																
CHK																
APP																
SCALE	SCALE NONE															
SIZE	SIZE D															
SHEET	SHEET 1 OF 1															
<table border="1"> <tr> <td>DATE</td> <td>11/14/06</td> </tr> <tr> <td>BY</td> <td></td> </tr> <tr> <td>CHK</td> <td></td> </tr> <tr> <td>APP</td> <td></td> </tr> <tr> <td>SCALE</td> <td>SCALE NONE</td> </tr> <tr> <td>SIZE</td> <td>SIZE D</td> </tr> <tr> <td>SHEET</td> <td>SHEET 1 OF 1</td> </tr> </table>			DATE	11/14/06	BY		CHK		APP		SCALE	SCALE NONE	SIZE	SIZE D	SHEET	SHEET 1 OF 1
DATE	11/14/06															
BY																
CHK																
APP																
SCALE	SCALE NONE															
SIZE	SIZE D															
SHEET	SHEET 1 OF 1															
<table border="1"> <tr> <td>DATE</td> <td>11/14/06</td> </tr> <tr> <td>BY</td> <td></td> </tr> <tr> <td>CHK</td> <td></td> </tr> <tr> <td>APP</td> <td></td> </tr> <tr> <td>SCALE</td> <td>SCALE NONE</td> </tr> <tr> <td>SIZE</td> <td>SIZE D</td> </tr> <tr> <td>SHEET</td> <td>SHEET 1 OF 1</td> </tr> </table>			DATE	11/14/06	BY		CHK		APP		SCALE	SCALE NONE	SIZE	SIZE D	SHEET	SHEET 1 OF 1
DATE	11/14/06															
BY																
CHK																
APP																
SCALE	SCALE NONE															
SIZE	SIZE D															
SHEET	SHEET 1 OF 1															
<table border="1"> <tr> <td>DATE</td> <td>11/14/06</td> </tr> <tr> <td>BY</td> <td></td> </tr> <tr> <td>CHK</td> <td></td> </tr> <tr> <td>APP</td> <td></td> </tr> <tr> <td>SCALE</td> <td>SCALE NONE</td> </tr> <tr> <td>SIZE</td> <td>SIZE D</td> </tr> <tr> <td>SHEET</td> <td>SHEET 1 OF 1</td> </tr> </table>			DATE	11/14/06	BY		CHK		APP		SCALE	SCALE NONE	SIZE	SIZE D	SHEET	SHEET 1 OF 1
DATE	11/14/06															
BY																
CHK																
APP																
SCALE	SCALE NONE															
SIZE	SIZE D															
SHEET	SHEET 1 OF 1															
<table border="1"> <tr> <td>DATE</td> <td>11/14/06</td> </tr> <tr> <td>BY</td> <td></td> </tr> <tr> <td>CHK</td> <td></td> </tr> <tr> <td>APP</td> <td></td> </tr> <tr> <td>SCALE</td> <td>SCALE NONE</td> </tr> <tr> <td>SIZE</td> <td>SIZE D</td> </tr> <tr> <td>SHEET</td> <td>SHEET 1 OF 1</td> </tr> </table>			DATE	11/14/06	BY		CHK		APP		SCALE	SCALE NONE	SIZE	SIZE D	SHEET	SHEET 1 OF 1
DATE	11/14/06															
BY																
CHK																
APP																
SCALE	SCALE NONE															
SIZE	SIZE D															
SHEET	SHEET 1 OF 1															
<table border="1"> <tr> <td>DATE</td> <td>11/14/06</td> </tr> <tr> <td>BY</td> <td></td> </tr> <tr> <td>CHK</td> <td></td> </tr> <tr> <td>APP</td> <td></td> </tr> <tr> <td>SCALE</td> <td>SCALE NONE</td> </tr> <tr> <td>SIZE</td> <td>SIZE D</td> </tr> <tr> <td>SHEET</td> <td>SHEET 1 OF 1</td> </tr> </table>			DATE	11/14/06	BY		CHK		APP		SCALE	SCALE NONE	SIZE	SIZE D	SHEET	SHEET 1 OF 1
DATE	11/14/06															
BY																
CHK																
APP																
SCALE	SCALE NONE															
SIZE	SIZE D															
SHEET	SHEET 1 OF 1															
<table border="1"> <tr> <td>DATE</td> <td>11/14/06</td> </tr> <tr> <td>BY</td> <td></td> </tr> <tr> <td>CHK</td> <td></td> </tr> <tr> <td>APP</td> <td></td> </tr> <tr> <td>SCALE</td> <td>SCALE NONE</td> </tr> <tr> <td>SIZE</td> <td>SIZE D</td> </tr> <tr> <td>SHEET</td> <td>SHEET 1 OF 1</td> </tr> </table>			DATE	11/14/06	BY		CHK		APP		SCALE	SCALE NONE	SIZE	SIZE D	SHEET	SHEET 1 OF 1
DATE	11/14/06															
BY																
CHK																
APP																
SCALE	SCALE NONE															
SIZE	SIZE D															
SHEET	SHEET 1 OF 1															
<table border="1"> <tr> <td>DATE</td> <td>11/14/06</td> </tr> <tr> <td>BY</td> <td></td> </tr> <tr> <td>CHK</td> <td></td> </tr> <tr> <td>APP</td> <td></td> </tr> <tr> <td>SCALE</td> <td>SCALE NONE</td> </tr> <tr> <td>SIZE</td> <td>SIZE D</td> </tr> <tr> <td>SHEET</td> <td>SHEET 1 OF 1</td> </tr> </table>			DATE	11/14/06	BY		CHK		APP		SCALE	SCALE NONE	SIZE	SIZE D	SHEET	SHEET 1 OF 1
DATE	11/14/06															
BY																
CHK																
APP																
SCALE	SCALE NONE															
SIZE	SIZE D															
SHEET	SHEET 1 OF 1															
<table border="1"> <tr> <td>DATE</td> <td>11/14/06</td> </tr> <tr> <td>BY</td> <td></td> </tr> <tr> <td>CHK</td> <td></td> </tr> <tr> <td>APP</td> <td></td> </tr> <tr> <td>SCALE</td> <td>SCALE NONE</td> </tr> <tr> <td>SIZE</td> <td>SIZE D</td> </tr> <tr> <td>SHEET</td> <td>SHEET 1 OF 1</td> </tr> </table>			DATE	11/14/06	BY		CHK		APP		SCALE	SCALE NONE	SIZE	SIZE D	SHEET	SHEET 1 OF 1
DATE	11/14/06															
BY																
CHK																
APP																
SCALE	SCALE NONE															
SIZE	SIZE D															
SHEET	SHEET 1 OF 1															
<table border="1"> <tr> <td>DATE</td> <td>11/14/06</td> </tr> <tr> <td>BY</td> <td></td> </tr> <tr> <td>CHK</td> <td></td> </tr> <tr> <td>APP</td> <td></td> </tr> <tr> <td>SCALE</td> <td>SCALE NONE</td> </tr> <tr> <td>SIZE</td> <td>SIZE D</td> </tr> <tr> <td>SHEET</td> <td>SHEET 1 OF 1</td> </tr> </table>			DATE	11/14/06	BY		CHK		APP		SCALE	SCALE NONE	SIZE	SIZE D	SHEET	SHEET 1 OF 1
DATE	11/14/06															
BY																
CHK																
APP																
SCALE	SCALE NONE															
SIZE	SIZE D															
SHEET	SHEET 1 OF 1															
<table border="1"> <tr> <td>DATE</td> <td>11/14/06</td> </tr> <tr> <td>BY</td> <td></td> </tr> <tr> <td>CHK</td> <td></td> </tr> <tr> <td>APP</td> <td></td> </tr> <tr> <td>SCALE</td> <td>SCALE NONE</td> </tr> <tr> <td>SIZE</td> <td>SIZE D</td> </tr> <tr> <td>SHEET</td> <td>SHEET 1 OF 1</td> </tr> </table>			DATE	11/14/06	BY		CHK		APP		SCALE	SCALE NONE	SIZE	SIZE D	SHEET	SHEET 1 OF 1
DATE	11/14/06															
BY																
CHK																
APP																
SCALE	SCALE NONE															
SIZE	SIZE D															
SHEET	SHEET 1 OF 1															
<table border="1"> <tr> <td>DATE</td> <td>11/14/06</td> </tr> <tr> <td>BY</td> <td></td> </tr> <tr> <td>CHK</td> <td></td> </tr> <tr> <td>APP</td> <td></td> </tr> <tr> <td>SCALE</td> <td>SCALE NONE</td> </tr> <tr> <td>SIZE</td> <td>SIZE D</td> </tr> <tr> <td>SHEET</td> <td>SHEET 1 OF 1</td> </tr> </table>			DATE	11/14/06	BY		CHK		APP		SCALE	SCALE NONE	SIZE	SIZE D	SHEET	SHEET 1 OF 1
DATE	11/14/06															
BY																
CHK																
APP																
SCALE	SCALE NONE															
SIZE	SIZE D															
SHEET	SHEET 1 OF 1															
<table border="1"> <tr> <td>DATE</td> <td>11/14/06</td> </tr> <tr> <td>BY</td> <td></td> </tr> <tr> <td>CHK</td> <td></td> </tr> <tr> <td>APP</td> <td></td> </tr> <tr> <td>SCALE</td> <td>SCALE NONE</td> </tr> <tr> <td>SIZE</td> <td>SIZE D</td> </tr> <tr> <td>SHEET</td> <td>SHEET 1 OF 1</td> </tr> </table>			DATE	11/14/06	BY		CHK		APP		SCALE	SCALE NONE	SIZE	SIZE D	SHEET	SHEET 1 OF 1
DATE	11/14/06															
BY																
CHK																
APP																
SCALE	SCALE NONE															
SIZE	SIZE D															
SHEET	SHEET 1 OF 1															
<table border="1"> <tr> <td>DATE</td> <td>11/14/06</td> </tr> <tr> <td>BY</td> <td></td> </tr> <tr> <td>CHK</td> <td></td> </tr> <tr> <td>APP</td> <td></td> </tr> <tr> <td>SCALE</td> <td>SCALE NONE</td> </tr> <tr> <td>SIZE</td> <td>SIZE D</td> </tr> <tr> <td>SHEET</td> <td>SHEET 1 OF 1</td> </tr> </table>			DATE	11/14/06	BY		CHK		APP		SCALE	SCALE NONE	SIZE	SIZE D	SHEET	SHEET 1 OF 1
DATE	11/14/06															
BY																
CHK																
APP																
SCALE	SCALE NONE															
SIZE	SIZE D															
SHEET	SHEET 1 OF 1															
<table border="1"> <tr> <td>DATE</td> <td>11/14/06</td> </tr> <tr> <td>BY</td> <td></td> </tr> <tr> <td>CHK</td> <td></td> </tr> <tr> <td>APP</td> <td></td> </tr> <tr> <td>SCALE</td> <td>SCALE NONE</td> </tr> <tr> <td>SIZE</td> <td>SIZE D</td> </tr> <tr> <td>SHEET</td> <td>SHEET 1 OF 1</td> </tr> </table>			DATE	11/14/06	BY		CHK		APP		SCALE	SCALE NONE	SIZE	SIZE D	SHEET	SHEET 1 OF 1
DATE	11/14/06															
BY																
CHK																
APP																
SCALE	SCALE NONE															
SIZE	SIZE D															
SHEET	SHEET 1 OF 1															
<table border="1"> <tr> <td>DATE</td> <td>11/14/06</td> </tr> <tr> <td>BY</td> <td></td> </tr> <tr> <td>CHK</td> <td></td> </tr> <tr> <td>APP</td> <td></td> </tr> <tr> <td>SCALE</td> <td>SCALE NONE</td> </tr> <tr> <td>SIZE</td> <td>SIZE D</td> </tr> <tr> <td>SHEET</td> <td>SHEET 1 OF 1</td> </tr> </table>			DATE	11/14/06	BY		CHK		APP		SCALE	SCALE NONE	SIZE	SIZE D	SHEET	SHEET 1 OF 1
DATE	11/14/06															
BY																
CHK																
APP																
SCALE	SCALE NONE															
SIZE	SIZE D															
SHEET	SHEET 1 OF 1															
<table border="1"> <tr> <td>DATE</td> <td>11/14/06</td> </tr> <tr> <td>BY</td> <td></td> </tr> <tr> <td>CHK</td> <td></td> </tr> <tr> <td>APP</td> <td></td> </tr> <tr> <td>SCALE</td> <td>SCALE NONE</td> </tr> <tr> <td>SIZE</td> <td>SIZE D</td> </tr> <tr> <td>SHEET</td> <td>SHEET 1 OF 1</td> </tr> </table>			DATE	11/14/06	BY		CHK		APP		SCALE	SCALE NONE	SIZE	SIZE D	SHEET	SHEET 1 OF 1
DATE	11/14/06															
BY																
CHK																
APP																
SCALE	SCALE NONE															
SIZE	SIZE D															
SHEET	SHEET 1 OF 1															
<table border="1"> <tr> <td>DATE</td> <td>11/14/06</td> </tr> <tr> <td>BY</td> <td></td> </tr> <tr> <td>CHK</td> <td></td> </tr> <tr> <td>APP</td> <td></td> </tr> <tr> <td>SCALE</td> <td>SCALE NONE</td> </tr> <tr> <td>SIZE</td> <td>SIZE D</td> </tr> <tr> <td>SHEET</td> <td>SHEET 1 OF 1</td> </tr> </table>			DATE	11/14/06	BY		CHK		APP		SCALE	SCALE NONE	SIZE	SIZE D	SHEET	SHEET 1 OF 1
DATE	11/14/06															
BY																
CHK																
APP																
SCALE	SCALE NONE															
SIZE	SIZE D															
SHEET	SHEET 1 OF 1															
<table border="1"> <tr> <td>DATE</td> <td>11/14/06</td> </tr> <tr> <td>BY</td> <td></td> </tr> <tr> <td>CHK</td> <td></td> </tr> <tr> <td>APP</td> <td></td> </tr> <tr> <td>SCALE</td> <td>SCALE NONE</td> </tr> <tr> <td>SIZE</td> <td>SIZE D</td> </tr> <tr> <td>SHEET</td> <td>SHEET 1 OF 1</td> </tr> </table>			DATE	11/14/06	BY		CHK		APP		SCALE	SCALE NONE	SIZE	SIZE D	SHEET	SHEET 1 OF 1
DATE	11/14/06															
BY																
CHK																
APP																
SCALE	SCALE NONE															
SIZE	SIZE D															
SHEET	SHEET 1 OF 1															
<table border="1"> <tr> <td>DATE</td> <td>11/14/06</td> </tr> <tr> <td>BY</td> <td></td> </tr> <tr> <td>CHK</td> <td></td> </tr> <tr> <td>APP</td> <td></td> </tr> <tr> <td>SCALE</td> <td>SCALE NONE</td> </tr> <tr> <td>SIZE</td> <td>SIZE D</td> </tr> <tr> <td>SHEET</td> <td>SHEET 1 OF 1</td> </tr> </table>			DATE	11/14/06	BY		CHK		APP		SCALE	SCALE NONE	SIZE	SIZE D	SHEET	SHEET 1 OF 1
DATE	11/14/06															
BY																
CHK																
APP																
SCALE	SCALE NONE															
SIZE	SIZE D															
SHEET	SHEET 1 OF 1															
<table border="1"> <tr> <td>DATE</td> <td>11/14/06</td> </tr> <tr> <td>BY</td> <td></td> </tr> <tr> <td>CHK</td> <td></td> </tr> <tr> <td>APP</td> <td></td> </tr> <tr> <td>SCALE</td> <td>SCALE NONE</td> </tr> <tr> <td>SIZE</td> <td>SIZE D</td> </tr> <tr> <td>SHEET</td> <td>SHEET 1 OF 1</td> </tr> </table>			DATE	11/14/06	BY		CHK		APP		SCALE	SCALE NONE	SIZE	SIZE D	SHEET	SHEET 1 OF 1
DATE	11/14/06															
BY																
CHK																
APP																
SCALE	SCALE NONE															
SIZE	SIZE D															
SHEET	SHEET 1 OF 1															
<table border="1"> <tr> <td>DATE</td> <td>11/14/06</td> </tr> <tr> <td>BY</td> <td></td> </tr> <tr> <td>CHK</td> <td></td> </tr> <tr> <td>APP</td> <td></td> </tr> <tr> <td>SCALE</td> <td>SCALE NONE</td> </tr> <tr> <td>SIZE</td> <td>SIZE D</td> </tr> <tr> <td>SHEET</td> <td>SHEET 1 OF 1</td> </tr> </table>			DATE	11/14/06	BY		CHK		APP		SCALE	SCALE NONE	SIZE	SIZE D	SHEET	SHEET 1 OF 1
DATE	11/14/06															
BY																
CHK																
APP																
SCALE	SCALE NONE															
SIZE	SIZE D															
SHEET	SHEET 1 OF 1															
<table border="1"> <tr> <td>DATE</td> <td>11/14/06</td> </tr> <tr> <td>BY</td> <td></td> </tr> <tr> <td>CHK</td> <td></td> </tr> <tr> <td>APP</td> <td></td> </tr> <tr> <td>SCALE</td> <td>SCALE NONE</td> </tr> <tr> <td>SIZE</td> <td>SIZE D</td> </tr> <tr> <td>SHEET</td> <td>SHEET 1 OF 1</td> </tr> </table>			DATE	11/14/06	BY		CHK		APP		SCALE	SCALE NONE	SIZE	SIZE D	SHEET	SHEET 1 OF 1
DATE	11/14/06															
BY																
CHK																
APP																
SCALE	SCALE NONE															
SIZE	SIZE D															
SHEET	SHEET 1 OF 1															
<table border="1"> <tr> <td>DATE</td> <td>11/14/06</td> </tr> <tr> <td>BY</td> <td></td> </tr> <tr> <td>CHK</td> <td></td> </tr> <tr> <td>APP</td> <td></td> </tr> <tr> <td>SCALE</td> <td>SCALE NONE</td> </tr> <tr> <td>SIZE</td> <td>SIZE D</td> </tr> <tr> <td>SHEET</td> <td>SHEET 1 OF 1</td> </tr> </table>			DATE	11/14/06	BY		CHK		APP		SCALE	SCALE NONE	SIZE	SIZE D	SHEET	SHEET 1 OF 1
DATE	11/14/06															
BY																
CHK																
APP																
SCALE	SCALE NONE															
SIZE	SIZE D															
SHEET	SHEET 1 OF 1															
<table border="1"> <tr> <td>DATE</td> <td>11/14/06</td> </tr> <tr> <td>BY</td> <td></td> </tr> <tr> <td>CHK</td> <td></td> </tr> <tr> <td>APP</td> <td></td> </tr> <tr> <td>SCALE</td> <td>SCALE NONE</td> </tr> <tr> <td>SIZE</td> <td>SIZE D</td> </tr> <tr> <td>SHEET</td> <td>SHEET 1 OF 1</td> </tr> </table>			DATE	11/14/06	BY		CHK		APP		SCALE	SCALE NONE	SIZE	SIZE D	SHEET	SHEET 1 OF 1
DATE	11/14/06															
BY																
CHK																
APP																
SCALE	SCALE NONE															
SIZE	SIZE D															
SHEET	SHEET 1 OF 1															
<table border="1"> <tr> <td>DATE</td> <td>11/14/06</td> </tr> <tr> <td>BY</td> <td></td> </tr> <tr> <td>CHK</td> <td></td> </tr> <tr> <td>APP</td> <td></td> </tr> <tr></tr></table>			DATE	11/14/06	BY		CHK		APP							
DATE	11/14/06															
BY																
CHK																
APP																