

Subject: F53 Foam Strip

Overview

Foam is to be added to the F53 to close two gaps between the device and the inside of the casing.

Problem

Having these two gaps has caused many instances where bills were being dispensed inside the casing and also creating bill jams.

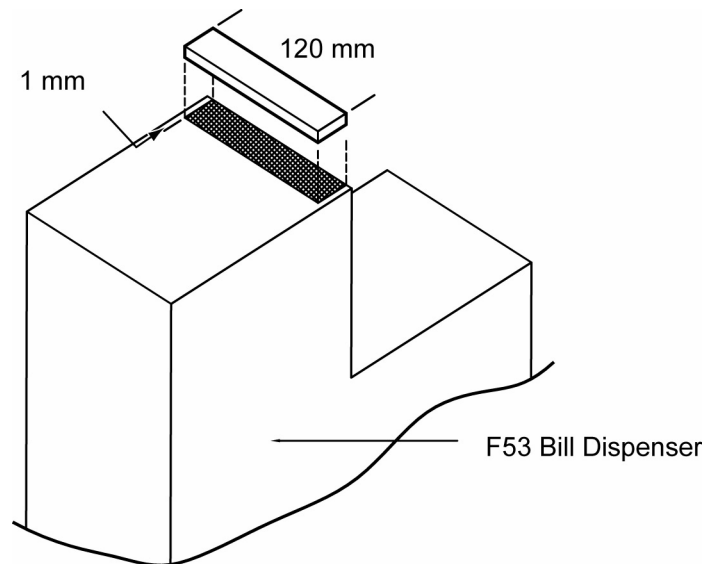
Solution

The solution to this is to install foam tape on the top area of the F53 and on the money tray on the scanner scale bezel. This change was cut into production in August of 2006.

Requirements:

- Foam tape (11000634)
- Metric ruler
- Scissors or cutting tool
- Money tray, if applicable (11000282)

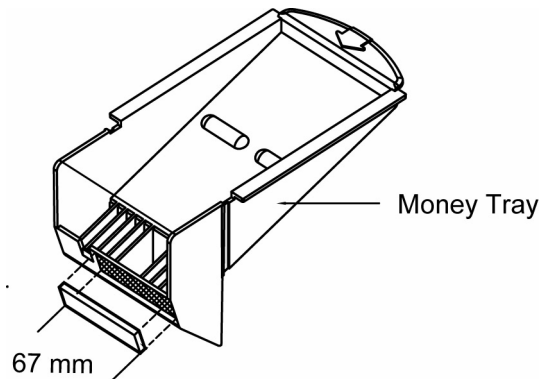
- 1 Wipe the area where you will affix the foam tape with a cloth to ensure that it is clean.
- 2 Cut a 120 mm length of foam tape.
- 3 Remove the backing of the tape and affix the tape to shaded area in the diagram below.



<u>INQUIRIES TO:</u>		DATE
Fujitsu Transaction Solutions Inc.		
Exchange:	Sustaining Engineering	MGR Sustaining Engineering
Mail:	Fujitsu USA04, Sustaining Engineering	
FAX:	858-731-4781 (7888-4781)	Product Manager
Internet:	sustainingengineering@ftxs.fujitsu.com	
FTP:	ftp://ftp.ftxs.fujitsu.com/	Author
Original signature copies maintained by Sustaining Engineering.		

4 If you need to install a new money tray, follow the steps below:

- a** To remove currently installed the money tray, slide a flat-head screwdriver underneath the back of the tray (behind the arrow), then gently pull upward to release the tray clip.
- b** Locate the plastic money tray (11000282).
- c** Wipe the money tray with a cloth to ensure that it is clean.
- d** Locate the foam tape (11000634).
- e** Cut a 67 mm length of foam tape.
- f** Peel the backing off the tape and affix the tape to the shaded area in the diagram below.



- g** Align the money tray with the cut-out on the Scanner Scale so that the rounded part is facing the front of the Station.
- h** Slide the rounded part of the money tray down into the cut-out, then pivot the tray into position. Ensure that the clip on the underside of the money tray snaps into place.

