



Subject: U-Scan MoneyFlex Interface Change

Overview

The MoneyFlex interface box that is used in the LT and NextGen U-Scan is no longer available. A new method of interfacing has been developed that will eliminate the interface box completely.

All NextGen systems shipped after September 26, 2008 will have this new interface methodology.

Hardware

The following changes are made to accomplish this conversion:

The MicroCoin is being replaced with the Genesis model.

The MoneyFlex is being replaced by a 'Y' Cable and an Adaptor Cable.

The Adaptor Cable is the same cable as used in Genesis.

Below are illustrations of these interface methodologies to help understand this change.

Software

The Driver required (MCSR3.dll) is included in all new builds, and for most customers has been installed for 2 years.

I installed the device on Port 5 Com 7 on the Next Gen. I went into the device tester and did the following:

To select the new driver:

Enter **Device Tester**

Select **Coin Acceptor**

Press "*" on the keyboard

Click on **Change**

Select the **Down Arrow** in the **DLL Location** box

Select the "**MCSR3.DLL**"

Verify correct COM port is selected (typically COM7)

Press **Apply**

Start the Device and then **Enable** for testing

For customers that do not already have the above driver loaded (**MCSR3.DLL**), an ASM package is being generated. Contact the Client Delivery Manager or Sales Engineer for more information or if an ASM is not available.

<u>INQUIRIES TO:</u>		DATE
Fujitsu Transaction Solutions Inc.		
Exchange:	Sustaining Engineering	_____
Mail:	Fujitsu USA04, Sustaining Engineering	_____
FAX:	858-731-4781 (7888-4781)	_____
Internet:	SustainingEngineering@ftxs.fujitsu.com	_____
FTP:	ftp://ftp.ftxs.fujitsu.com/	_____
Original signature copies maintained by Sustaining Engineering.		



Field Failures

There is minimal impact to the field at this time:

There is adequate stock of the MoneyFlex to support the field for the foreseeable future.

If a MicroCoin device fails, it can be replaced with the same (current) type. These are still available from the manufacturer.

However, in the event that stock should be depleted or for some reason a currently installed unit must be updated to this new configuration, the following steps will be needed:

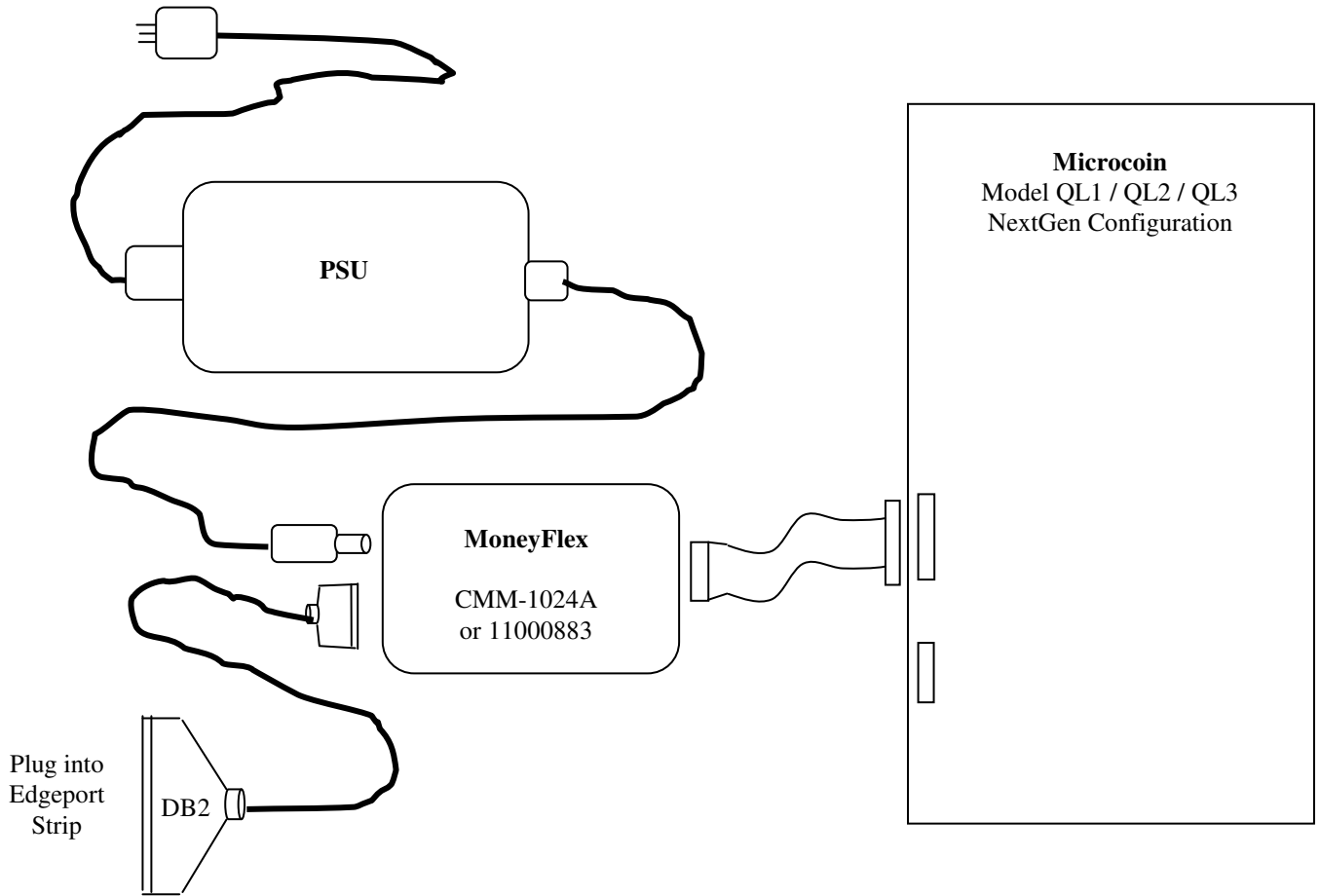
- Replace MicroCoin with Genesis type
- Remove MoneyFlex and replace with 'Y' and Adaptor Cable
- Select the new Driver in Device Tester (install driver if not already installed)

Parts

Part Number	Description	MicroCoin Firmware Level (ref only)
11003000	Cable, DB9M-DB25F/M, Y-Type with DC Plug, MicroCoin QL3, 1.0M	
11001354	Cable, I/F, MicroCoin CC-Talk, 3.0M	
11001353	MicroCoin Coin Acceptor (US)	US808_D5
11001345	MicroCoin Coin Acceptor (Canada)	CA812_M5
11001349	MicroCoin Coin Acceptor (Mexico)	MX002_D5
11001346	MicroCoin Coin Acceptor (Europe)	EU822_M5
11001350	MicroCoin Coin Acceptor (Poland)	PL801_M5
11001352	MicroCoin Coin Acceptor (UK)	UK817_M5
11003127	MicroCoin Coin Acceptor (Aus)	AU823_F2
11002235	MicroCoin Coin Acceptor (Sweden)	SE804_M5

With the exception of the 'Y' Cable, all other parts are common with Genesis.

Current Next Gen Configuration



New NextGen Configuration

