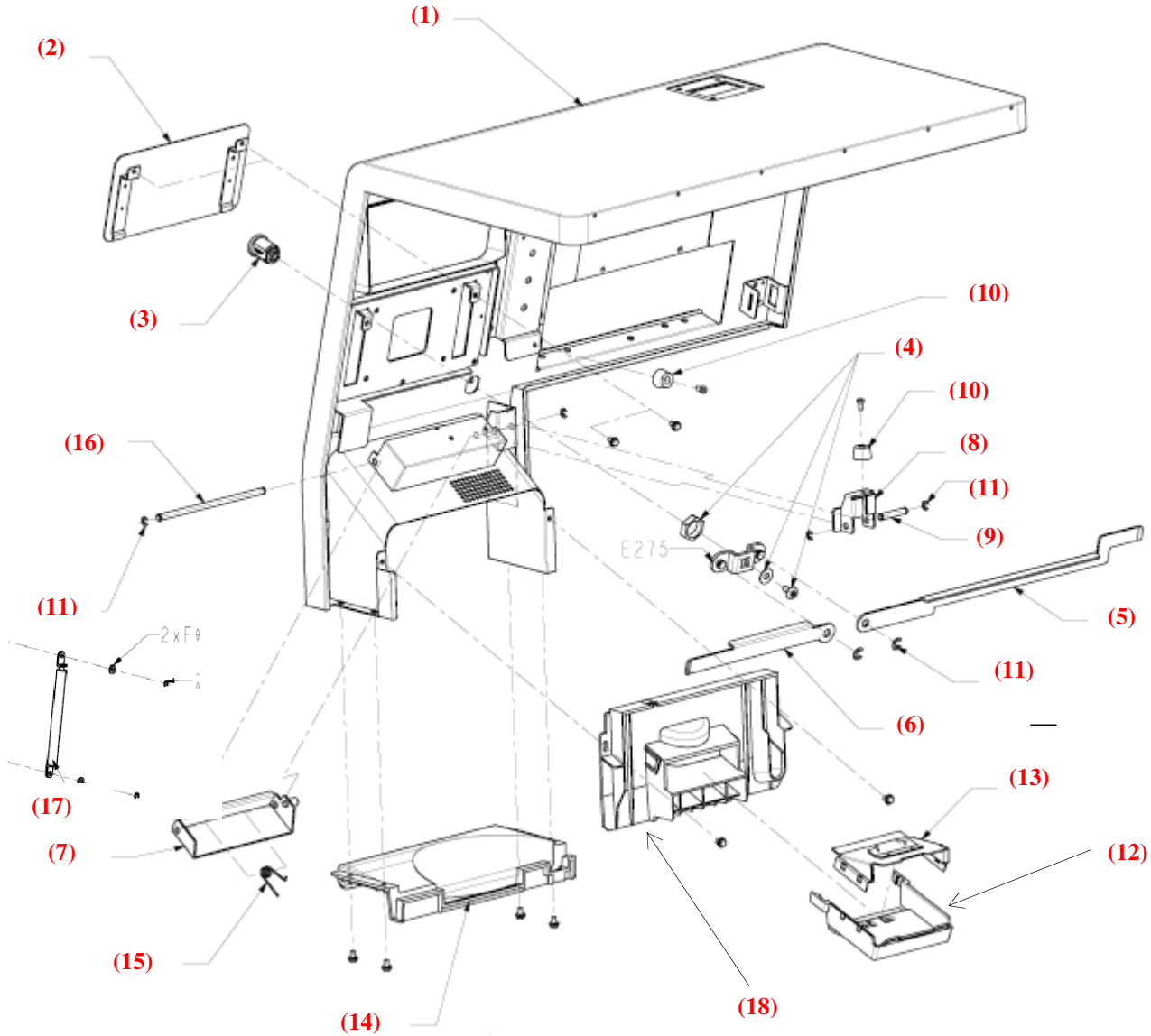


Subject: Genesis Top Door Assembly Part Numbers

There has been much confusion in the past regarding the part number for various parts/components of the Genesis U-Scan, especially the top door with all of its latches. Below is an Illustrated Parts Guide to the Genesis Top Door. For illustration purposes only the Left Hand unit is shown, but the tables below list part numbers for both the Left and Right version.

LEFT HAND UNIT SHOWN



Part numbers ending with an ‘*’ are painted. Refer to the Color Reference table below.

<u>INQUIRIES TO:</u>		DATE
Fujitsu Transaction Solutions Inc.		
Exchange: Sustaining Engineering	_____	_____
Mail: Fujitsu USA04, Sustaining Engineering	_____	_____
FAX: 858-731-4781 (7888-4781)	_____	_____
Internet: SustainingEngineering@us.fujitsu.com	_____	_____
FTP: ftp://ftp.ftxs.fujitsu.com/	_____	_____
	Author	
Original signature copies maintained by Sustaining Engineering.		



Left Hand Unit

	Description	Vendor P/N	FFNA
1	Top Door Asy.SCO & Payment Station, Left	KD30335-E100-*	
2	EFT Blank Panel Assy, Painted	KD30335-E258-*	
3	Illinois lock	HSD6416X-810-092-1014	
4	Key Bracket A Assy	KD30335-E275	
5	Key Bracket B	KD30335-Y276	
6	Key Bracket C	KD30335-Y277	
7	Lever Assy, Painted	KD30335-E116-*	
8	Top Stopper, Left	KD30335-Y115	11003237
9	Top Lock Shaft	KD330335-Y350	
10	Rubber Foot	C-30FRB-18	11003241
11	E Ring	F6-ER4-SUS	
12	Coin Tray C, Hopper/Canister, Bill Exit Tray	KD030335-Y184	11001435
13	Bill Bumper Tray Bracket Assembly	KD30335-E270	
14	Coin Tray A, Hopper/Canister, Lower Coin Tray, Left	KD030335-Y182	11001433
15	Top Lever Spring	KD30335-Y119	
16	Top Lever Shaft	KD30335-Y118	
17	Gas Spring, Safety Locking, Gas Shock		11001581
18	Coin Tray B, Hopper/Canister, Bill/Coin Exit Panel, Left	KD30335-Y183	11001434

Right Hand Unit

	Description	Vendor P/N	FFNA
1	Top Door Asy.SCO & Payment Station, Right	KD30348-E100-*	
2	EFT Blank Panel Assy, Painted	KD30335-E258-*	
3	Illinois lock	HSD6416X-810-092-1014	
4	Key Bracket A Assy	KD30335-E275	
5	Key Bracket B	KD30348-Y276	
6	Key Bracket C	KD30348-Y277	
7	Lever Assy, Painted	KD30335-E116-*	
8	Top Stopper, Right	KD30348-Y115	11003238
9	Top Lock Shaft	KD330335-Y350	
10	Rubber Foot	C-30FRB-18	11003241
11	E Ring	F6-ER4-SUS	
12	Coin Tray C, Hopper/Canister, Bill Exit Tray	KD030335-Y184	11001435
13	Bill Bumper Tray Bracket Assembly	KD30335-E270	
14	Coin Tray A, Hopper/Canister, Lower Coin Tray, Right	KD30348-Y182	11002003
15	Top Lever Spring	KD30335-Y119	
16	Top Lever Shaft	KD30335-Y118	
17	Gas Spring, Safety Locking, Gas Shock		11001581
18	Coin Tray B, Hopper/Canister, Bill/Coin Exit Panel, Right	KD30348-Y183	11002004

Color Reference Chart

*Color Reference	Customer	Color
1	Standard	Star Silver Sandtex
2	Standard	Beach Sand Textured
3	Auchan	Achan Green
4	Edeka	Edeka Gray
5	HEB	Black River
6	HEB	Urbane Bronze
9	Auchan	Pantone 2725C